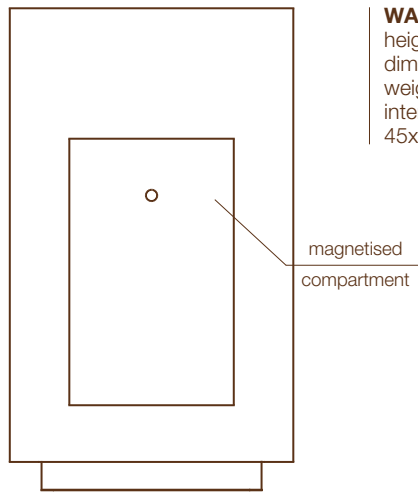
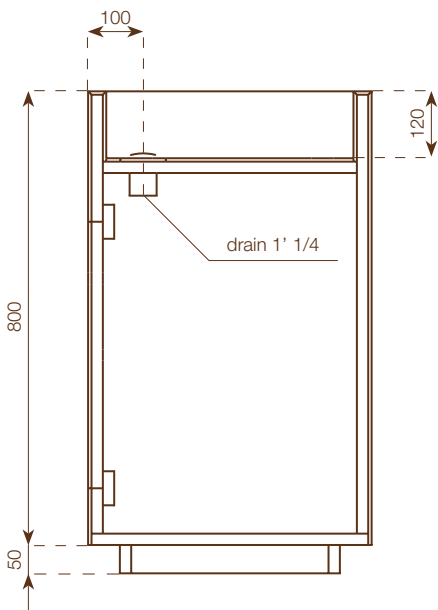
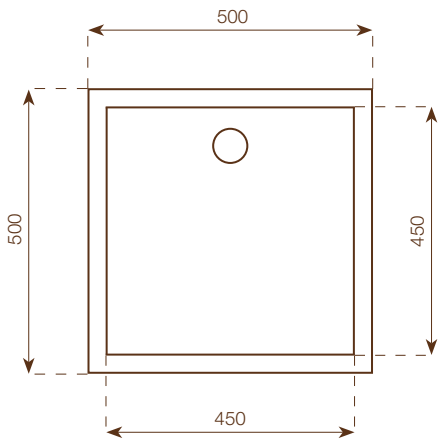


AQUA MAXIMUM / WASHBASIN WITH PEDESTAL

GF 5050 UP&DOWN



WASHBASIN
 height: 850 cm
 dimensions: 50x50 cm
 weight: 60 Kg
 internal basin's size:
 45x45x h.12 cm

FAO PACKING CASE
 height: 105 cm
 dimensions: 60x60 cm
 weight: 35 Kg

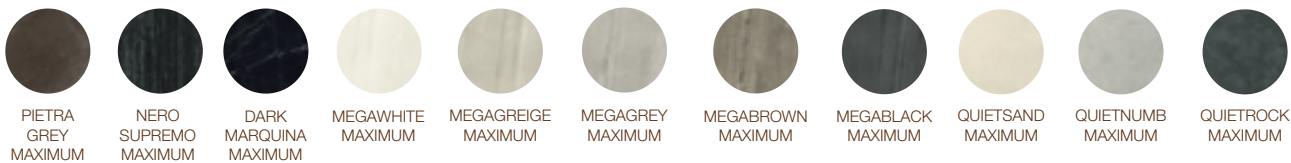
Notes

Each washbasin is made with a Wedi core coated with MAXIMUM 6 mm porcelain stoneware on all visible surfaces. Type of drain: Silfra DN 32 model drain in STAINLESS STEEL Up&Down plug in chrome. On the rear of each pedestal washbasin there is a readily serviceable magnetised compartment; by removing this, it is possible to connect a wall drain. Alternatively, a floor drain can be connected. Packaging in suitable FAO packing case included.

Marmi Maximum



Megalith Maximum

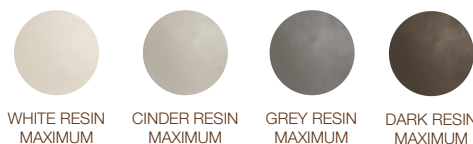


QuietStones Maximum

Aster Maximum



HQ.Resin Maximum



Data.Uni Maximum

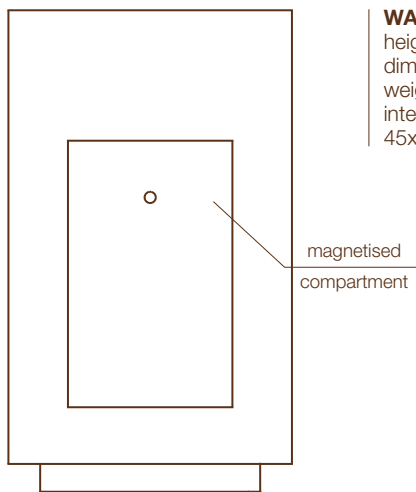
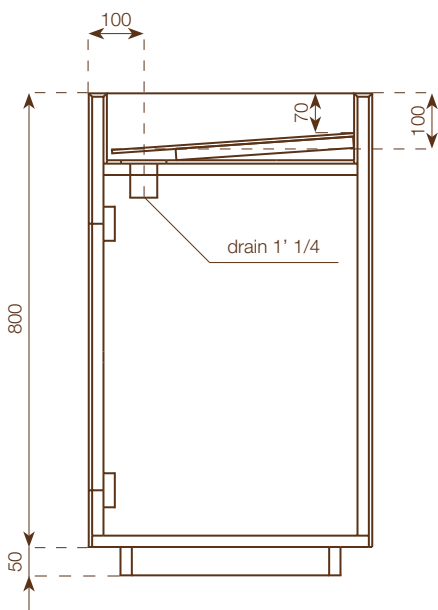
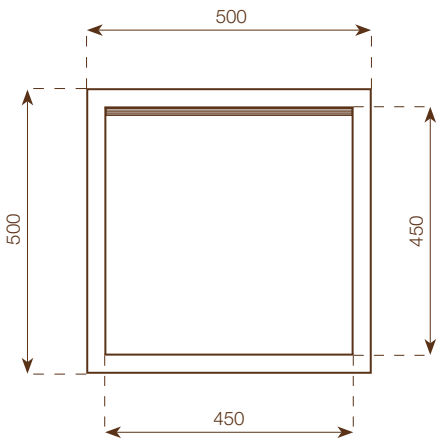


Eminent Wood Maximum



AQUA MAXIMUM / WASHBASIN WITH PEDESTAL

GF 5050 WATERFALL



WASHBASIN
 height: 850 cm
 dimensions: 50x50 cm
 weight: 60 Kg
 internal basin's size:
 45x45x h.7/10 cm

FAO PACKING CASE
 height: 105 cm
 dimensions: 60x60 cm
 weight: 35 Kg

Notes
 Each washbasin is made with a Wedi core coated with MAXIMUM 6 mm porcelain stoneware on all visible surfaces. Type of drain: Silfra DN 32 model drain in STAINLESS STEEL always open (it can not be inspected). On the rear of each pedestal washbasin there is a readily serviceable magnetised compartment; by removing this, it is possible to connect a wall drain. Alternatively, a floor drain can be connected. Packaging in suitable FAO packing case included.

Marmi Maximum



Megalith Maximum

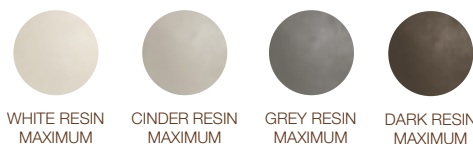


QuietStones Maximum

Aster Maximum



HQ.Resin Maximum



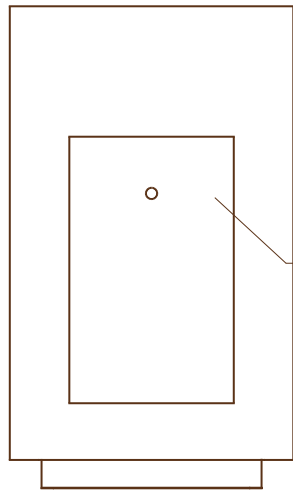
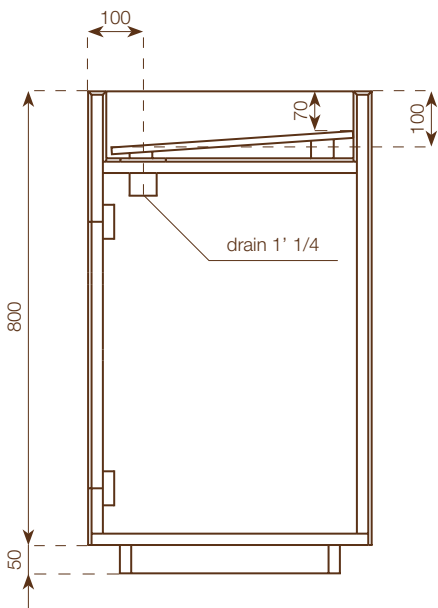
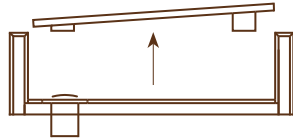
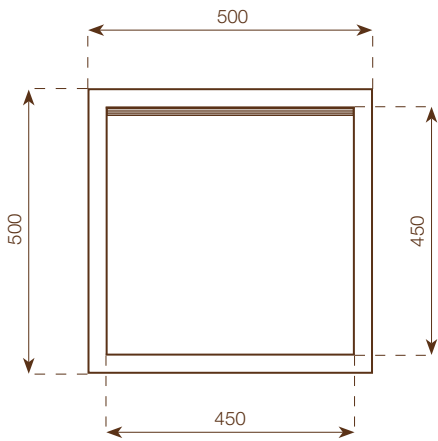
Data.Uni Maximum



Eminent Wood Maximum



GF 5050 WATERFALL READILY SERVICEABLE A



WASHBASIN
 height: 850 cm
 dimensions: 50x50 cm
 weight: 63 Kg
 internal basin's size:
 45x45x h.7/10 cm

FAO PACKING CASE
 height: 105 cm
 dimensions: 60x60 cm
 weight: 35 Kg

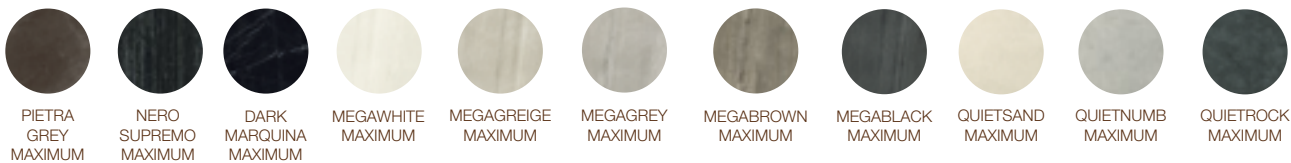
Notes

Each washbasin is made with a Wedi core coated with MAXIMUM 6 mm porcelain stoneware on all visible surfaces. Type of drain: Silfra DN 32 model drain in STAINLESS STEEL Up&Down plug in chrome. On the rear of each pedestal washbasin there is a readily serviceable magnetised compartment; by removing this, it is possible to connect a wall drain. Alternatively, a floor drain can be connected. Included in the delivery of each washbasin are: a suction cup, packaging in suitable FAO packing case..

Marmi Maximum



Megalith Maximum

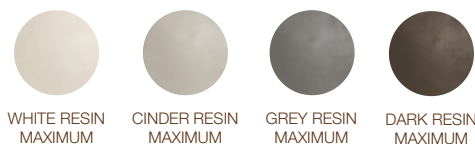


QuietStones Maximum

Aster Maximum



HQ.Resin Maximum



Data.Uni Maximum

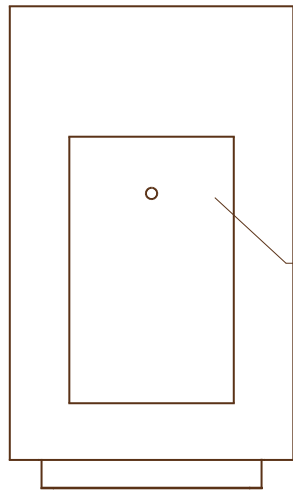
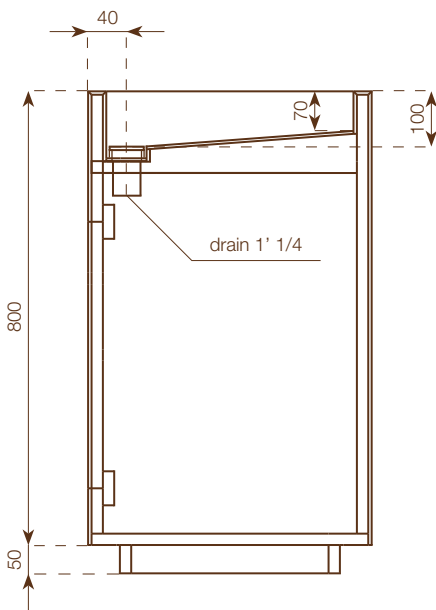
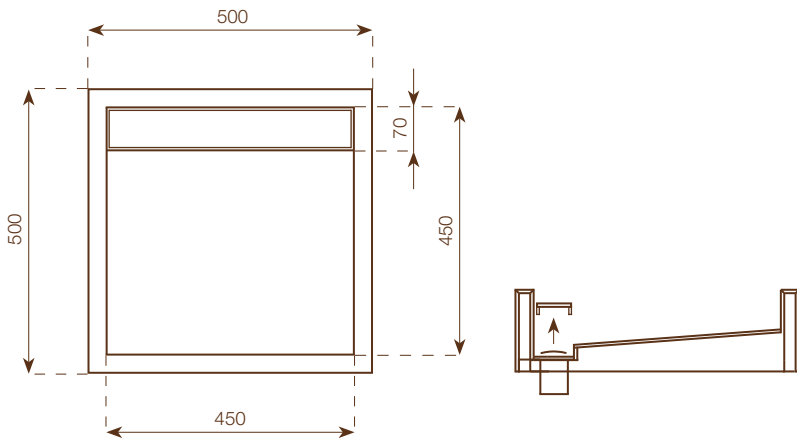


Eminent Wood Maximum



AQUA MAXIMUM / WASHBASIN WITH PEDESTAL

GF 5050 WATERFALL READILY SERVICEABLE B



WASHBASIN
 height: 850 cm
 dimensions: 50x50 cm
 weight: 63 Kg
 internal basin's size:
 45x45x h.7/10 cm

FAO PACKING CASE
 height: 105 cm
 dimensions: 60x60 cm
 weight: 35 Kg

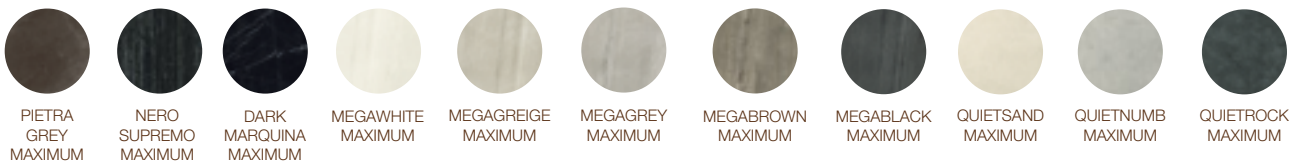
Notes

Each washbasin is made with a Wedi core coated with MAXIMUM 6 mm porcelain stoneware on all visible surfaces. Type of drain: Silfra DN 32 model drain in STAINLESS STEEL Up&Down plug in chrome. On the rear of each pedestal washbasin there is a readily serviceable magnetised compartment; by removing this, it is possible to connect a wall drain. Alternatively, a floor drain can be connected. Packaging in suitable FAO packing case included.

Marmi Maximum



Megalith Maximum

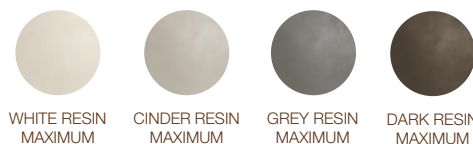


QuietStones Maximum

Aster Maximum



HQ.Resin Maximum



Data.Uni Maximum



Eminent Wood Maximum

