

AQUA MAXIMUM

The bathroom as a spa.

AQUA MAXIMUM, a complete system of washbasins and shower trays that can be customised with all products made with MAXIMUM FIANDRE EXTRALITE® technology.

Taking care of yourself, carving out a moment of your day to devote to personal care, is not just a healthy habit—it can become a real regeneration ritual for the body and the mind. The bathroom should therefore be designed to promote the maximum comfort for those who use it, leading to a beneficial state of wellbeing. To achieve this rewarding condition, the choice of surface and bathroom accessories should include functionality, aesthetics and easy maintenance. GranitiFiandre, always devoted to improving the lives of their customers, introducing ever more performing products of excellent quality, is now proud to present AQUA MAXIMUM, a complete system of washbasins and shower trays that can be customised with all products made with MAXIMUM FIANDRE EXTRALITE® technology.

The strength of AQUA MAXIMUM is in the possibility of creating a total look effect, combining floors, coatings and bathroom furnishings, and therefore create a space with harmony and aesthetic continuity.

Customising the AQUA MAXIMUM accessories begins by selecting the desired model and the effect that the various MAXIMUM materials can achieve: marble (MARMI MAXIMUM), stone (MEGALITH or QUIETSTONES MAXIMUM), concrete (ASTER), resin (HQ. RESIN) and monochrome (DATA.UNI). Where materials with a distinct vein are selected, such as marbles, the washbasin or shower tray will appear monolithic thanks to the book-matching of the visible vein, which is perceptible when observing the element in the plan view.

Within the AQUA MAXIMUM range, the following washbasin, counter top and shower tray models are available, which can be made in various sizes depending on specific requirements (see the tables in the following pages):

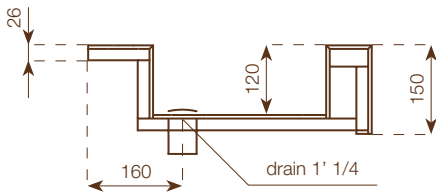
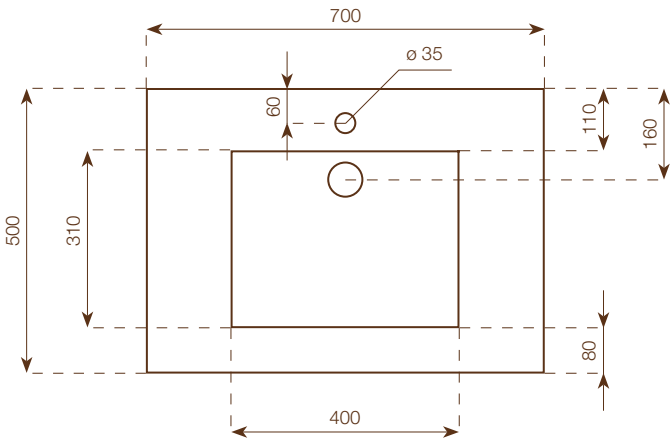
- _single integrated washbasin up&down
- _single integrated washbasin waterfall
- _double integrated washbasin up&down
- _double integrated washbasin waterfall
- _pedestal washbasin
- _counter top
- _shower tray

All AQUA MAXIMUM components are made individually and assembled by hand, using traditional craftsmanship, each time creating a unique product finished with extreme precision.

Adhesives and epoxy putties are used for assembly, while each fitting contains a core of high density extruded polystyrene (Wedi), which ensures high stiffness and water tightness.

The AQUA MAXIMUM accessories retain over time the technical and aesthetic features typical of 100% porcelain stoneware surfaces: flexural strength, resistance to deep abrasion, chemical and stain resistance, colour fastness and ease of cleaning.

SINGLE GF 70 UP&DOWN



WASHBASIN

height: 15 cm
 dimensions: 70x50 cm
 weight: 28 Kg
 internal basin's size:
 40x31x h.12 cm

FAO PACKING CASE

height: 40 cm
 dimensions: 80x60 cm
 weight: 30 Kg

Notes

Each washbasin is made with a Wedi core coated with MAXIMUM 6 mm porcelain stoneware on all visible surfaces. Included in the delivery of each washbasin are: Silfra DN 32 model drain in STAINLESS STEEL Up&Down plug in chrome, 2 support brackets, 12x60 plugs with hex head screw, packaging in suitable FAO packing case.

Marmi Maximum



Aster Maximum



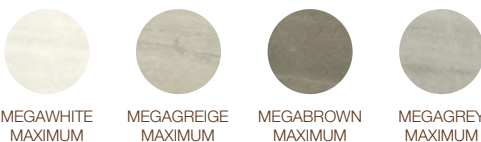
HQ.Resin Maximum



Data.Uni Maximum



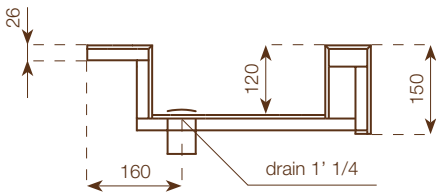
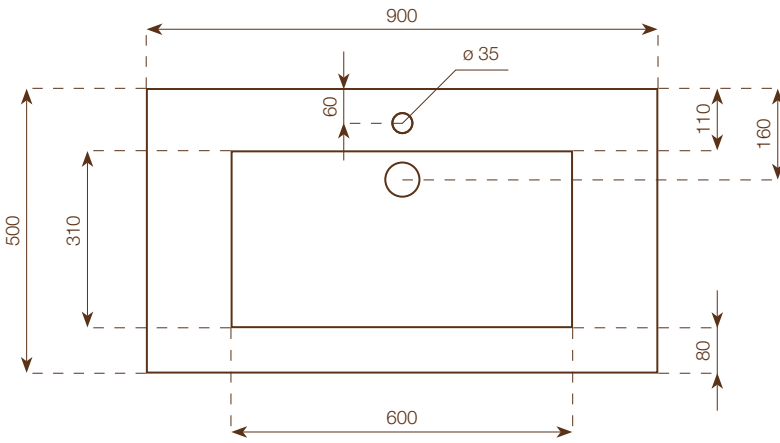
Megalith Maximum



Quietstones Maximum



SINGLE GF 90 UP&DOWN



WASHBASIN

height: 15 cm
 dimensions: 90x50 cm
 weight: 33 Kg
 internal basin's size:
 60x31x h.12 cm

FAO PACKING CASE

height: 40 cm
 dimensions: 100x60 cm
 weight: 32 Kg

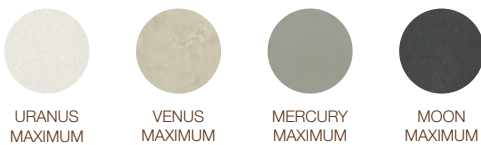
Notes

Each washbasin is made with a Wedi core coated with MAXIMUM 6 mm porcelain stoneware on all visible surfaces. Included in the delivery of each washbasin are: Silfra DN 32 model drain in STAINLESS STEEL Up&Down plug in chrome, 2 support brackets, 12x60 plugs with hex head screw, packaging in suitable FAO packing case.

Marmi Maximum



Aster Maximum



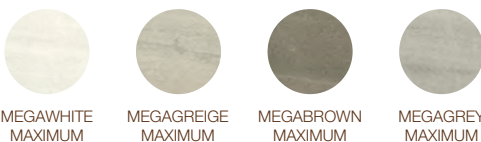
HQ.Resin Maximum



Data.Uni Maximum



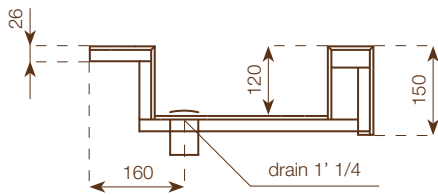
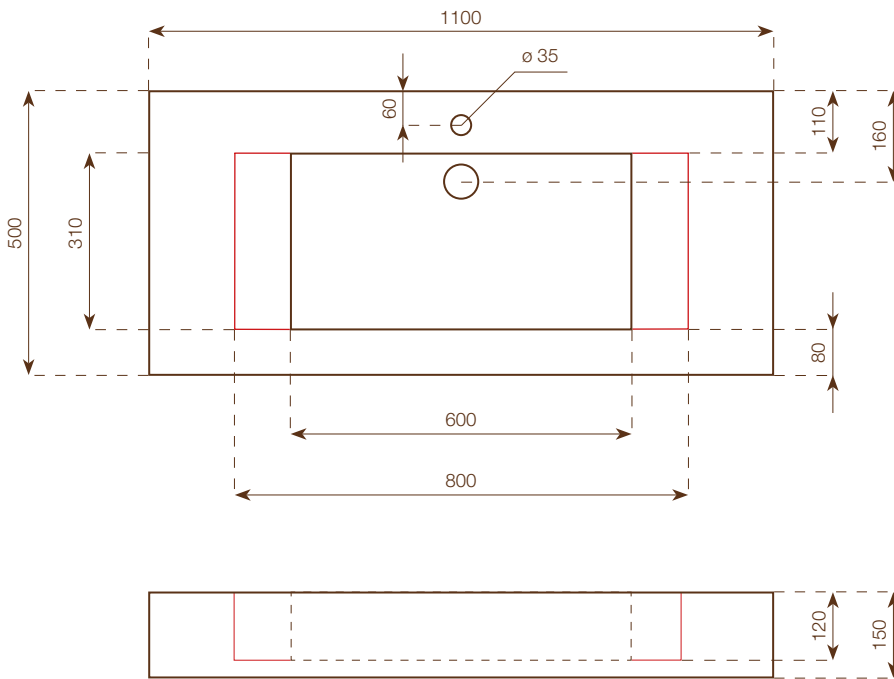
Megalith Maximum



Quietstones Maximum



SINGLE GF 110 UP&DOWN



WASHBASIN
 height: 15 cm
 dimensions: 110x50 cm
 weight: 38 Kg
 internal basin's size:
 60x31x h.12 cm
 80x31x h.12 cm

FAO PACKING CASE
 height: 40 cm
 dimensions: 120x60 cm
 weight: 35 Kg

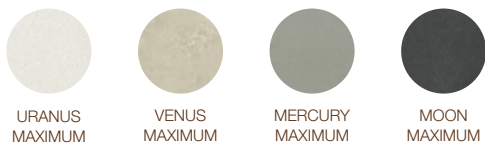
Notes

Each washbasin is made with a Wedi core coated with MAXIMUM 6 mm porcelain stoneware on all visible surfaces. It is possible to choose between internal basins of either 60 or 80 cm width. The 80 cm wide version allows installation of either 1 or 2 taps. Included in the delivery of each washbasin are: Silfra DN 32 model drain in STAINLESS STEEL Up&Down plug in chrome, 2 support brackets, 12x60 plugs with hex head screw, packaging in suitable FAO packing case.

Marmi Maximum



Aster Maximum



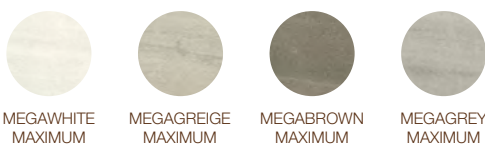
HQ.Resin Maximum



Data.Uni Maximum



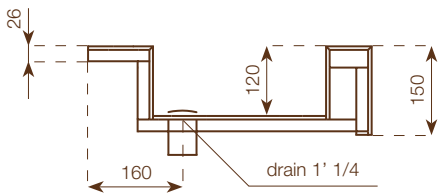
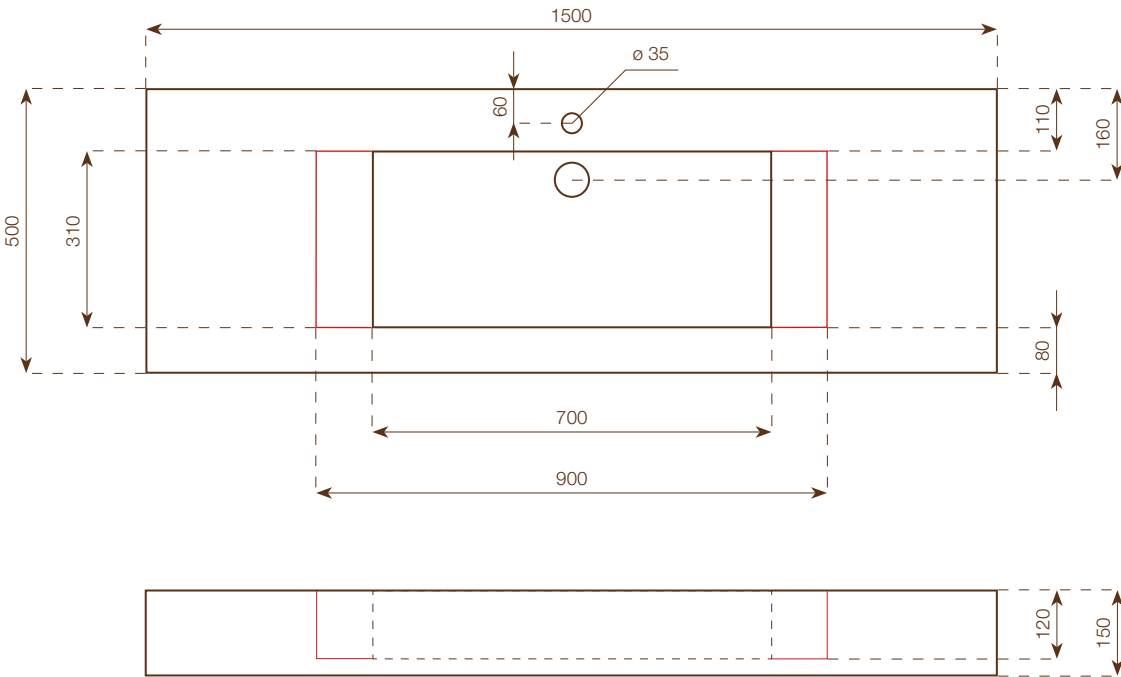
Megalith Maximum



Quietstones Maximum



SINGLE GF 150 UP&DOWN



WASHBASIN
 height: 15 cm
 dimensions: 150x50 cm
 weight: 48 Kg
 internal basin's size:
 70x31x h.12 cm
 90x31x h.12 cm

FAO PACKING CASE
 height: 40 cm
 dimensions: 160x60 cm
 weight: 40 Kg

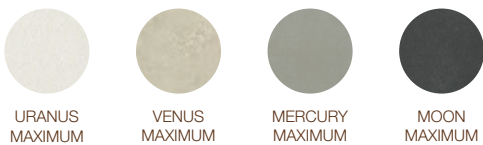
Notes

Each washbasin is made with a Wedi core coated with MAXIMUM 6 mm porcelain stoneware on all visible surfaces. It is possible to choose between internal basins of either 70 or 90 cm width. The 90 cm wide version allows installation of either 1 or 2 taps. Included in the delivery of each washbasin are: Silfra DN 32 model drain in STAINLESS STEEL Up&Down plug in chrome, 2 support brackets, 12x60 plugs with hex head screw, packaging in suitable FAO packing case.

Marmi Maximum



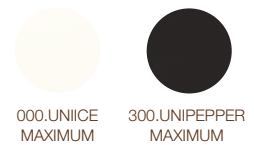
Aster Maximum



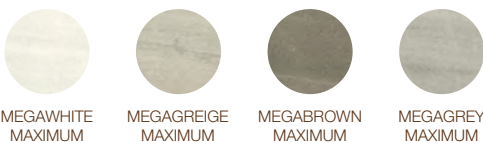
HQ.Resin Maximum



Data.Uni Maximum



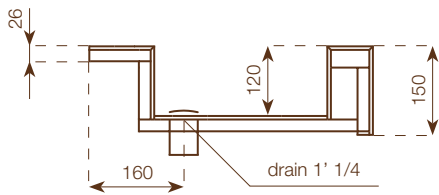
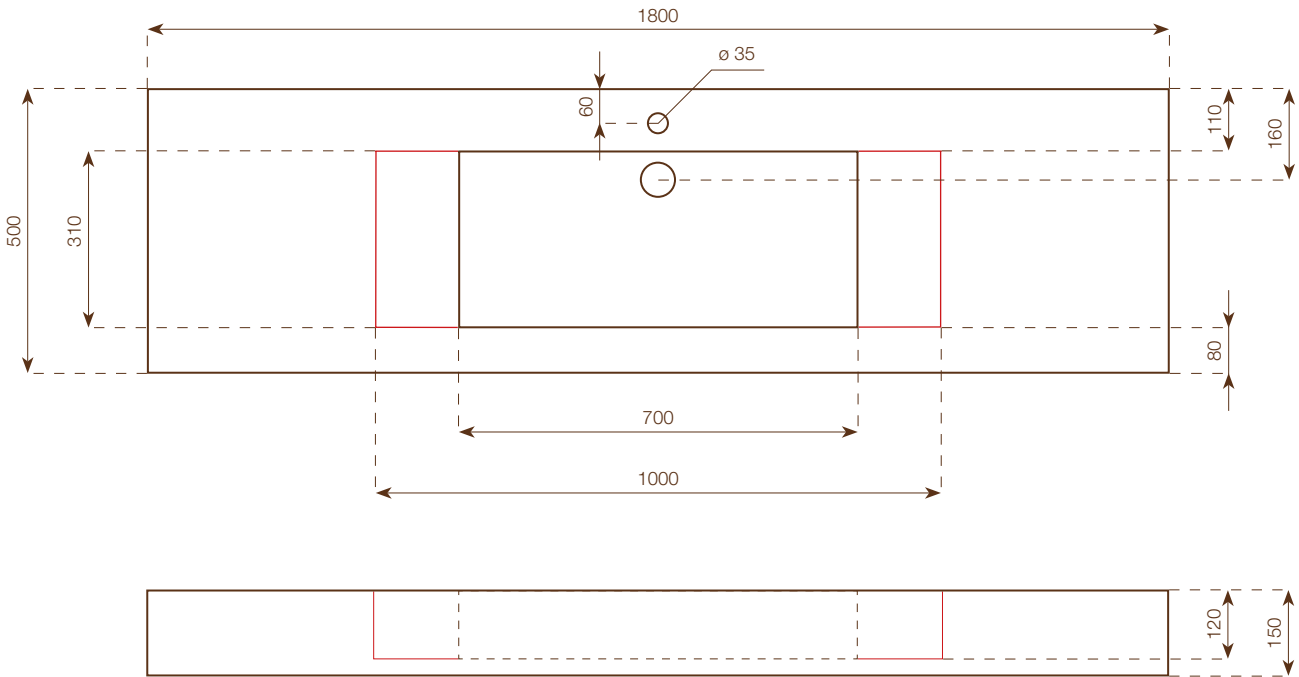
Megalith Maximum



Quietstones Maximum



SINGLE GF 180 UP&DOWN



WASHBASIN
 height: 15 cm
 dimensions: 180x50 cm
 weight: 58 Kg
 internal basin's size:
 70x31x h.12 cm
 100x31x h.12 cm

FAO PACKING CASE
 height: 40 cm
 dimensions: 190x60 cm
 weight: 45 Kg

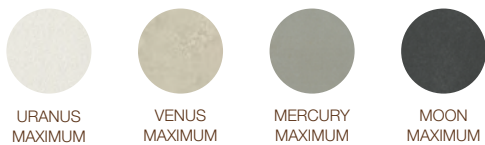
Notes

Each washbasin is made with a Wedi core coated with MAXIMUM 6 mm porcelain stoneware on all visible surfaces. It is possible to choose between internal basins of either 70 or 100 cm width. The 100 cm wide version allows installation of either 1 or 2 taps. Included in the delivery of each washbasin are: Silfra DN 32 model drain in STAINLESS STEEL Up&Down plug in chrome, 2 support brackets, 12x60 plugs with hex head screw, packaging in suitable FAO packing case.

Marmi Maximum



Aster Maximum



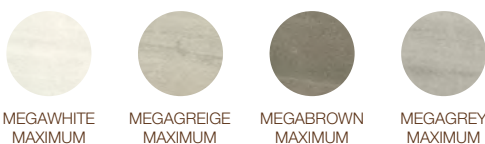
HQ.Resin Maximum



Data.Uni Maximum



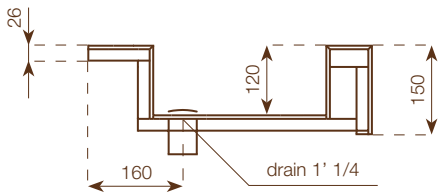
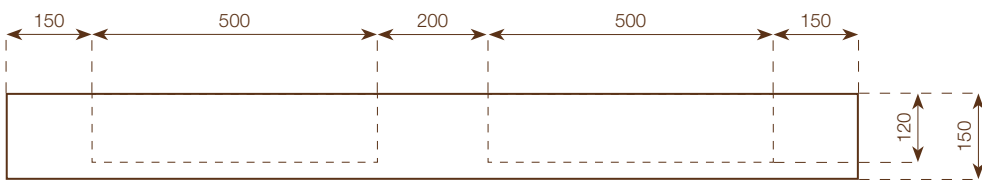
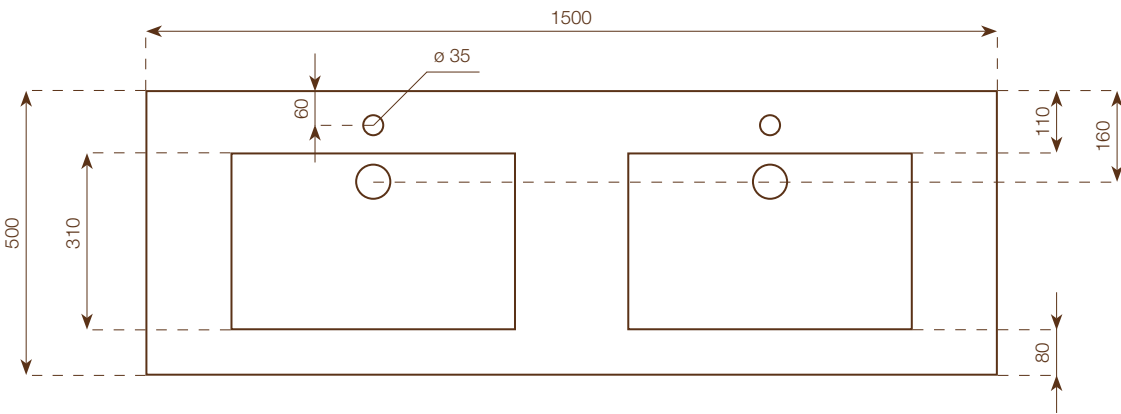
Megalith Maximum



Quietstones Maximum



DOUBLE GF 150 UP&DOWN



WASHBASIN

height: 15 cm
 dimensions: 150x50 cm
 weight: 51 Kg
 internal basin's size:
 50x31x h.12 cm

FAO PACKING CASE

height: 40 cm
 dimensions: 160x60 cm
 weight: 40 Kg

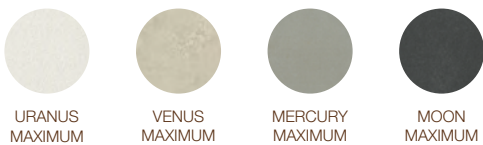
Notes

Each washbasin is made with a Wedi core coated with MAXIMUM 6 mm porcelain stoneware on all visible surfaces. Included in the delivery of each washbasin are: Silfra DN 32 model drain in STAINLESS STEEL Up&Down plug in chrome, 3 support brackets, 12x60 plugs with hex head screw, packaging in suitable FAO packing case.

Marmi Maximum



Aster Maximum



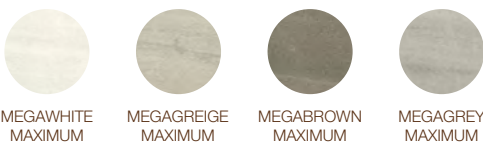
HQ.Resin Maximum



Data.Uni Maximum



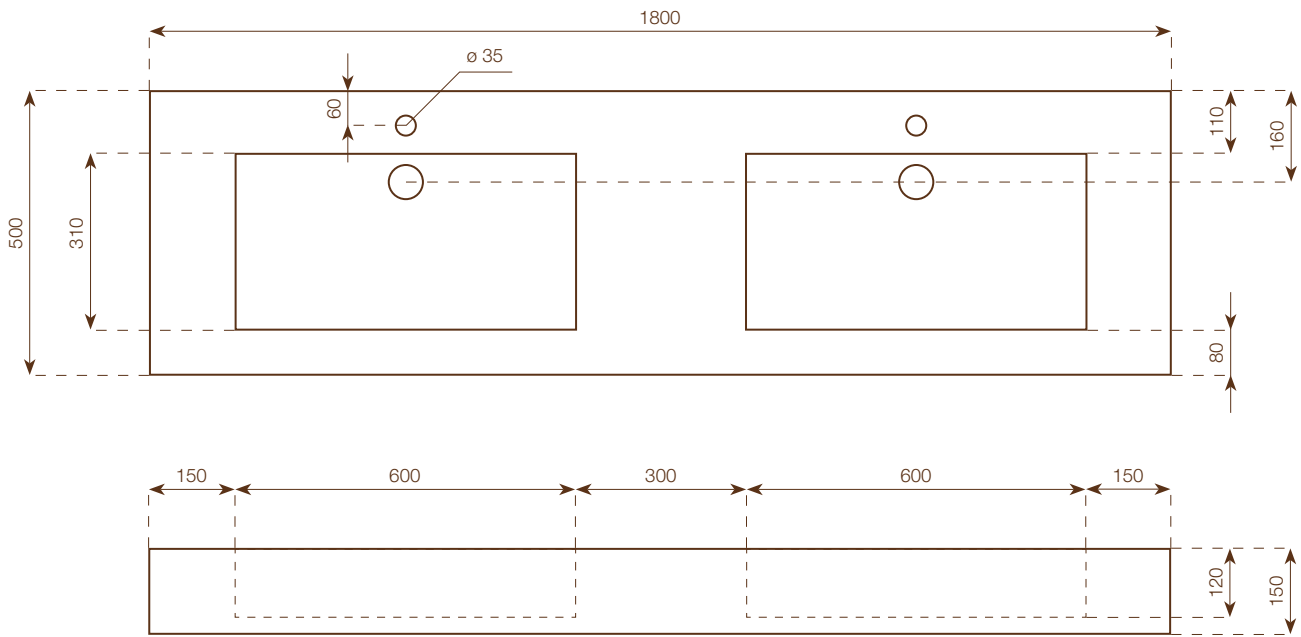
Megalith Maximum



Quietstones Maximum



DOUBLE GF 180 UP&DOWN



WASHBASIN

height: 15 cm
 dimensions: 180x50 cm
 weight: 61 Kg
 internal basin's size:
 60x31x h.12 cm

FAO PACKING CASE

height: 40 cm
 dimensions: 190x60 cm
 weight: 45 Kg

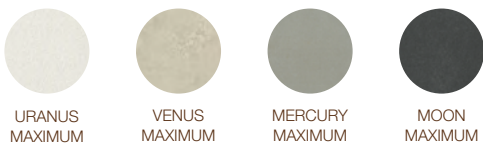
Notes

Each washbasin is made with a Wedi core coated with MAXIMUM 6 mm porcelain stoneware on all visible surfaces. Included in the delivery of each washbasin are: Silfra DN 32 model drain in STAINLESS STEEL Up&Down plug in chrome, 3 support brackets, 12x60 plugs with hex head screw, packaging in suitable FAO packing case.

Marmi Maximum



Aster Maximum



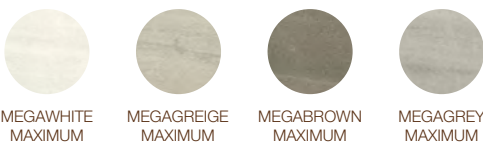
HQ.Resin Maximum



Data.Uni Maximum



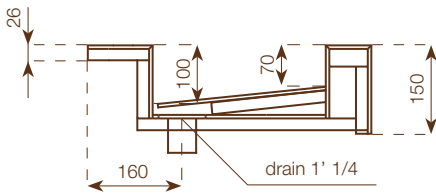
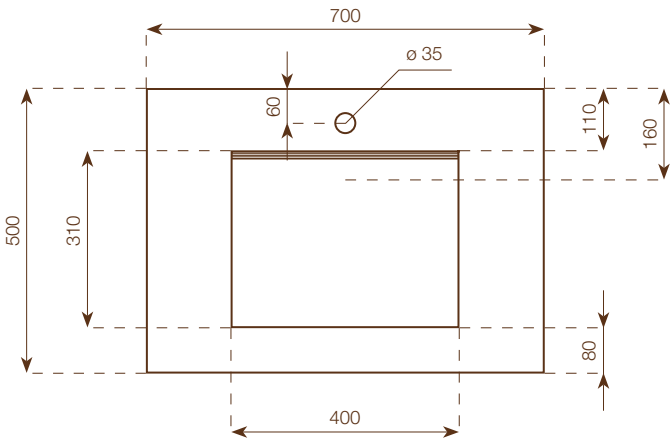
Megalith Maximum



Quietstones Maximum



SINGLE GF 70 WATERFALL



WASHBASIN

height: 15 cm
 dimensions: 70x50 cm
 weight: 28 Kg
 internal basin's size:
 40x31x h.7/10 cm

FAO PACKING CASE

height: 40 cm
 dimensions: 80x60 cm
 weight: 30 Kg

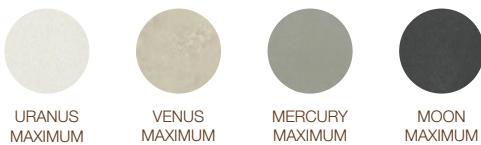
Notes

Each washbasin is made with a Wedi core coated with MAXIMUM 6 mm porcelain stoneware on all visible surfaces. Included in the delivery of each washbasin are: Silfra DN 32 model drain in STAINLESS STEEL always open, 2 support brackets, 12x60 plugs with hex head screw, packaging in suitable FAO packing case.

Marmi Maximum



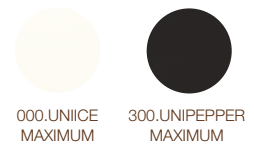
Aster Maximum



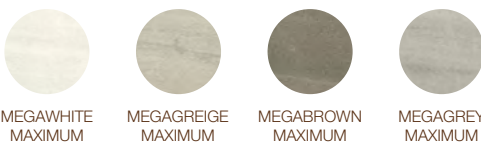
HQ.Resin Maximum



Data.Uni Maximum



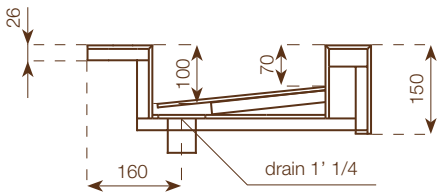
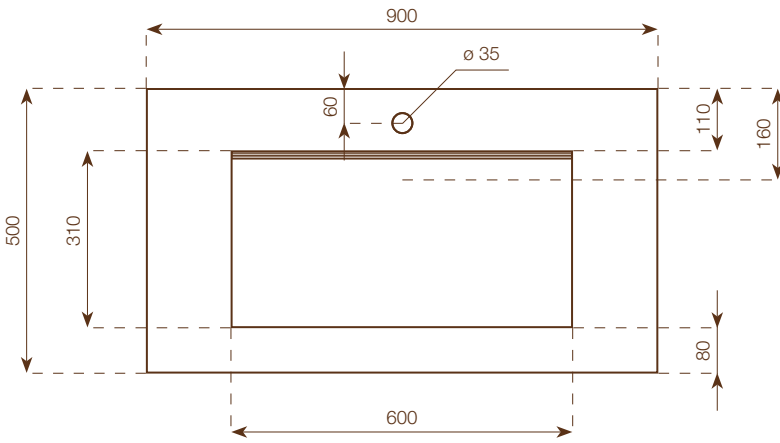
Megalith Maximum



Quietstones Maximum



SINGLE GF 90 WATERFALL



WASHBASIN

height: 15 cm
 dimensions: 90x50 cm
 weight: 33 Kg
 internal basin's size:
 60x31x h.7/10 cm

FAO PACKING CASE

height: 40 cm
 dimensions: 100x60 cm
 weight: 32 Kg

Notes

Each washbasin is made with a Wedi core coated with MAXIMUM 6 mm porcelain stoneware on all visible surfaces. Included in the delivery of each washbasin are: Silfra DN 32 model drain in STAINLESS STEEL always open, 2 support brackets, 12x60 plugs with hex head screw, packaging in suitable FAO packing case.

Marmi Maximum



Aster Maximum



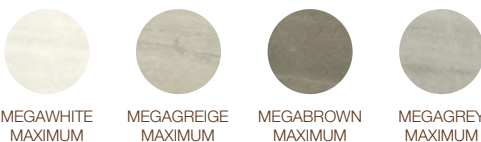
HQ.Resin Maximum



Data.Uni Maximum



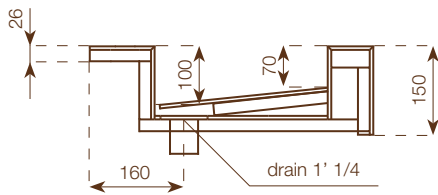
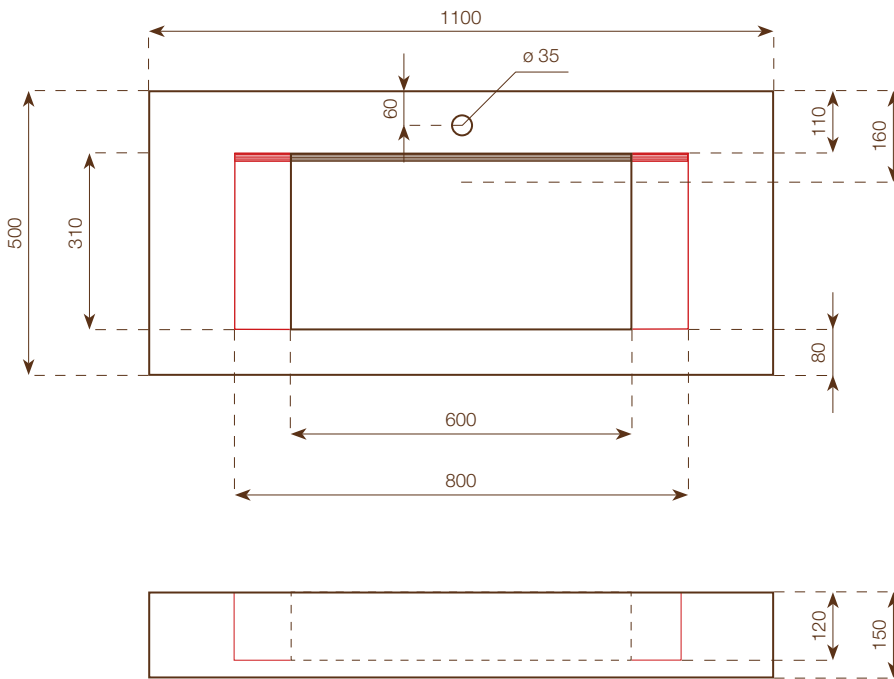
Megalith Maximum



Quietstones Maximum



SINGLE GF 110 WATERFALL



WASHBASIN
 height: 15 cm
 dimensions: 110x50 cm
 weight: 38 Kg
 internal basin's size:
 60x31x h.7/10 cm
 80x31x h.7/10 cm

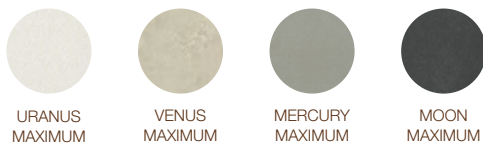
FAO PACKING CASE
 height: 40 cm
 dimensions: 120x60 cm
 weight: 35 Kg

Notes
 Each washbasin is made with a Wedi core coated with MAXIMUM 6 mm porcelain stoneware on all visible surfaces. It is possible to choose between internal basins of either 60 or 80 cm width. The 80 cm wide version allows installation of either 1 or 2 taps. Included in the delivery of each washbasin are: Silfra DN 32 model drain in STAINLESS STEEL always open, 2 support brackets, 12x60 plugs with hex head screw, packaging in suitable FAO packing case.

Marmi Maximum



Aster Maximum



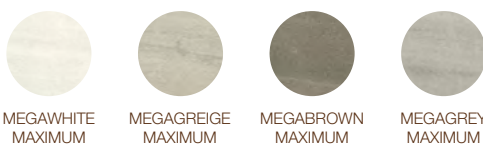
HQ.Resin Maximum



Data.Uni Maximum



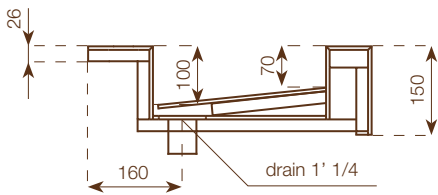
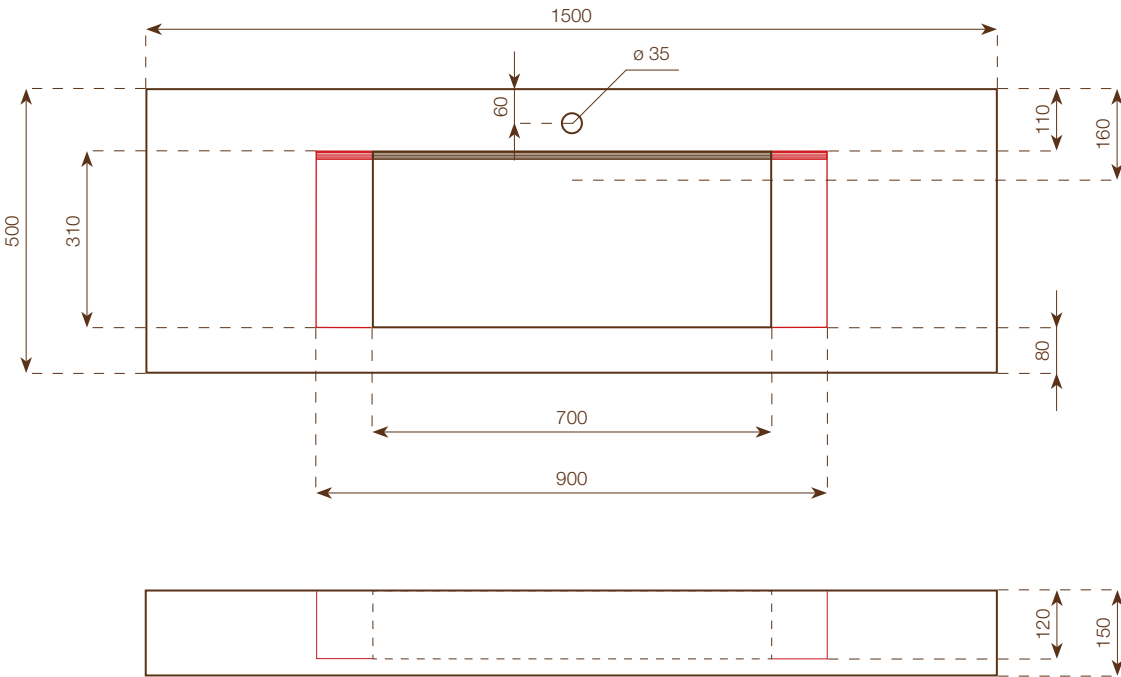
Megalith Maximum



Quietstones Maximum



SINGLE GF 150 WATERFALL



WASHBASIN

height: 15 cm
 dimensions: 150x50 cm
 weight: 48 Kg
 internal basin's size:
 70x31x h.7/10cm
 90x31x h.7/10 cm

FAO PACKING CASE

height: 40 cm
 dimensions: 160x60 cm
 weight: 40 Kg

Notes

Each washbasin is made with a Wedi core coated with MAXIMUM 6 mm porcelain stoneware on all visible surfaces. It is possible to choose between internal basins of either 70 or 90 cm width. The 90 cm wide version allows installation of either 1 or 2 taps. Included in the delivery of each washbasin are: Silfra DN 32 model drain in STAINLESS STEEL always open, 2 support brackets, 12x60 plugs with hex head screw, packaging in suitable FAO packing case.

Marmi Maximum



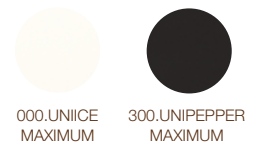
Aster Maximum



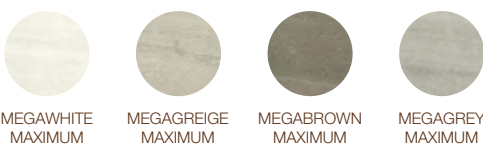
HQ.Resin Maximum



Data.Uni Maximum



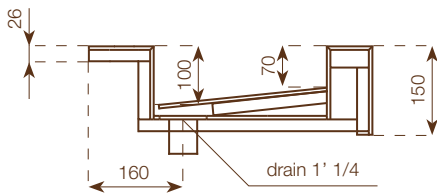
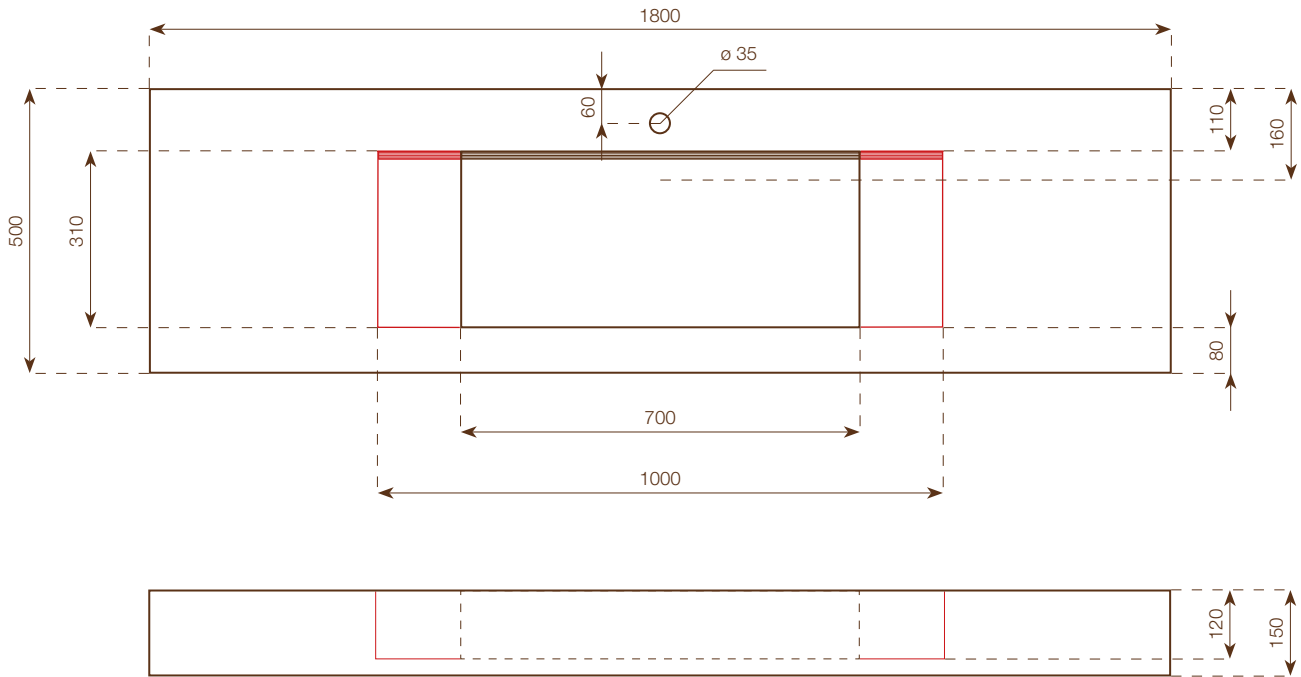
Megalith Maximum



Quietstones Maximum



SINGLE GF 180 WATERFALL



WASHBASIN
 height: 15 cm
 dimensions: 180x50 cm
 weight: 58 Kg
 internal basin's size:
 70x31x h.7/10 cm
 100x31x h.7/10 cm

FAO PACKING CASE
 height: 40 cm
 dimensions: 190x60 cm
 weight: 45

Notes
 Each washbasin is made with a Wedi core coated with MAXIMUM 6 mm porcelain stoneware on all visible surfaces. It is possible to choose between internal basins of either 70 or 100 cm width. The 100 cm wide version allows installation of either 1 or 2 taps. Included in the delivery of each washbasin are: Silfra DN 32 model drain in STAINLESS STEEL always open, 2 support brackets, 12x60 plugs with hex head screw, packaging in suitable FAO packing case.

Marmi Maximum



Aster Maximum



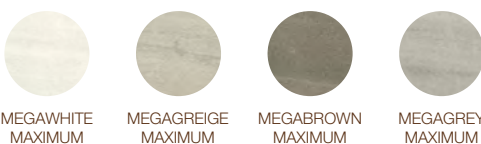
HQ.Resin Maximum



Data.Uni Maximum



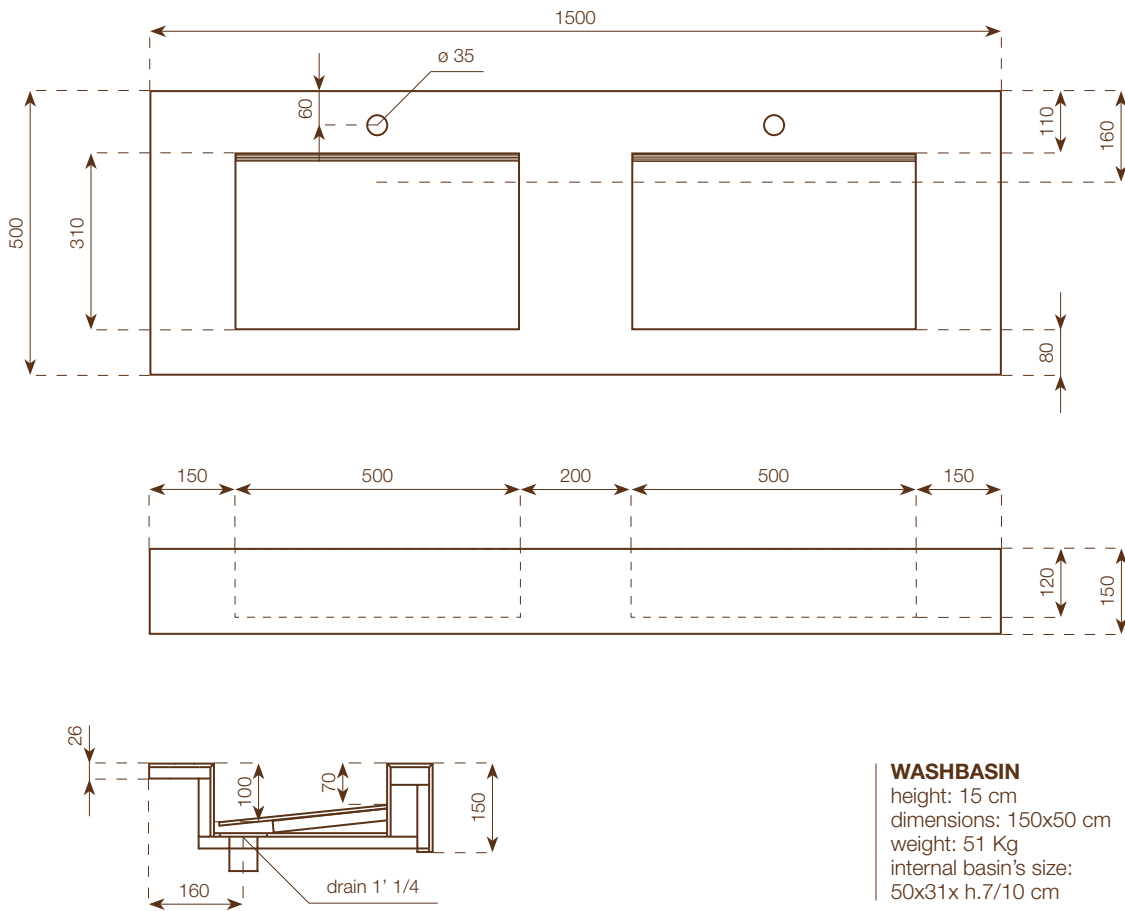
Megalith Maximum



Quietstones Maximum



DOUBLE GF 150 WATERFALL



WASHBASIN
 height: 15 cm
 dimensions: 150x50 cm
 weight: 51 Kg
 internal basin's size:
 50x31x h.7/10 cm

FAO PACKING CASE
 height: 40 cm
 dimensions: 160x60 cm
 weight: 40 Kg

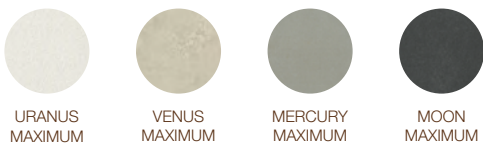
Notes

Each washbasin is made with a Wedi core coated with MAXIMUM 6 mm porcelain stoneware on all visible surfaces. Included in the delivery of each washbasin are: Silfra DN 32 model drain in STAINLESS STEEL always open, 3 support brackets, 12x60 plugs with hex head screw, packaging in suitable FAO packing case.

Marmi Maximum



Aster Maximum



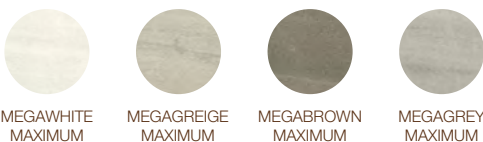
HQ.Resin Maximum



Data.Uni Maximum



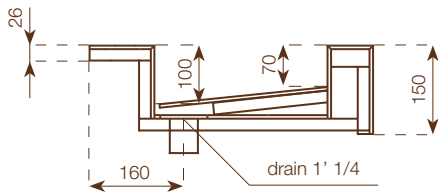
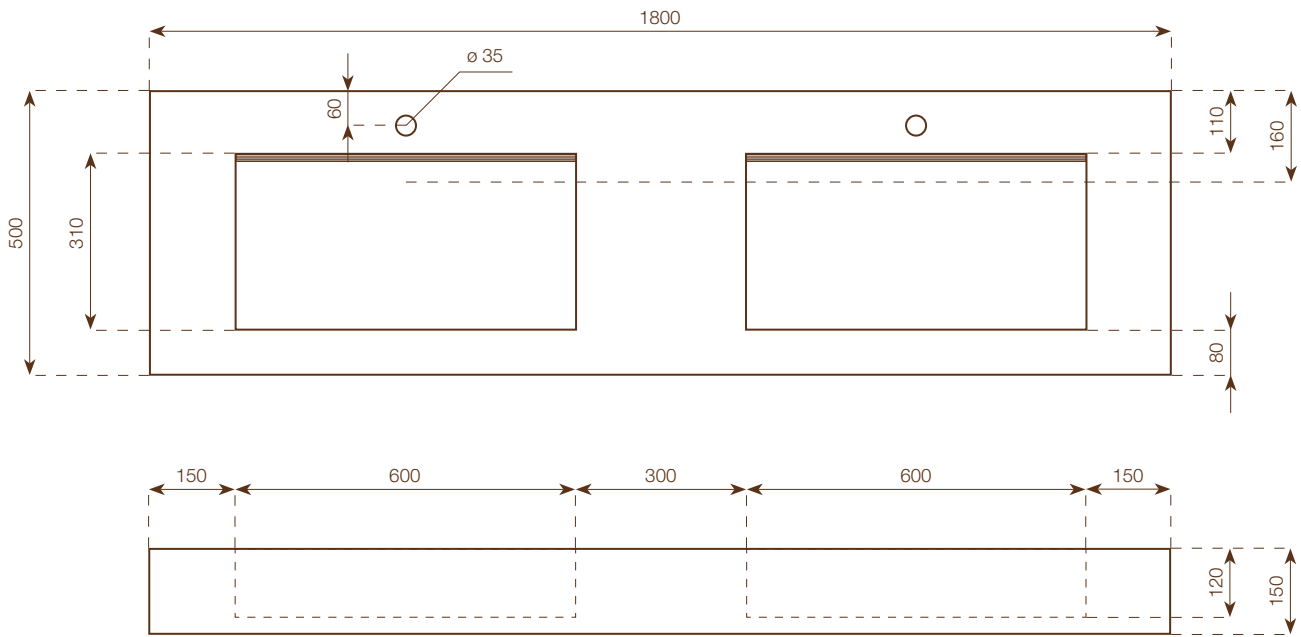
Megalith Maximum



Quietstones Maximum



DOUBLE GF 180 WATERFALL



WASHBASIN

height: 15 cm
 dimensions: 180x50 cm
 weight: 61 Kg
 internal basin's size:
 60x31x h.7/10 cm

FAO PACKING CASE

height: 40 cm
 dimensions: 190x60 cm
 weight: 45 Kg

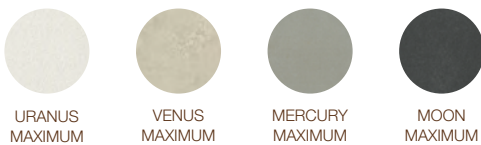
Notes

Each washbasin is made with a Wedi core coated with MAXIMUM 6 mm porcelain stoneware on all visible surfaces. Included in the delivery of each washbasin are: Silfra DN 32 model drain in STAINLESS STEEL always open, 3 support brackets, 12x60 plugs with hex head screw, packaging in suitable FAO packing case.

Marmi Maximum



Aster Maximum



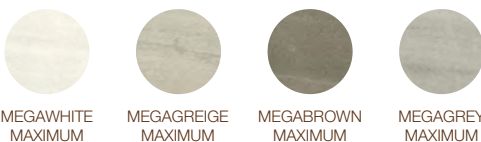
HQ.Resin Maximum



Data.Uni Maximum



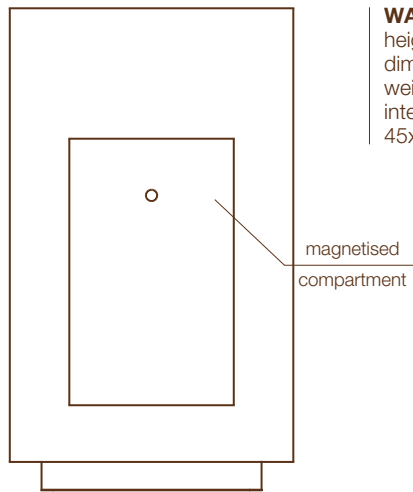
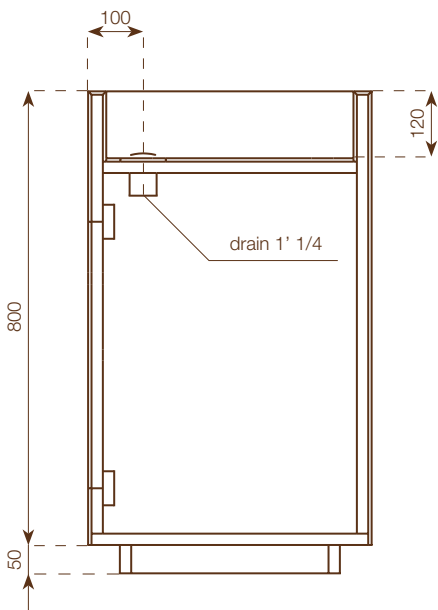
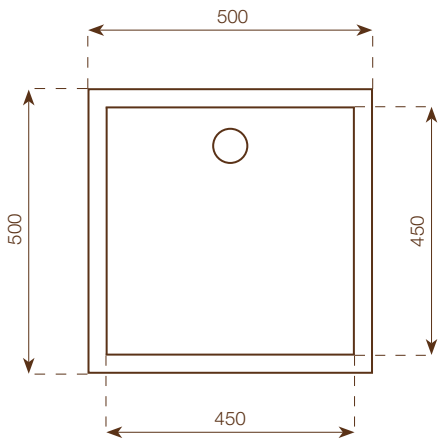
Megalith Maximum



Quietstones Maximum



GF 5050 UP&DOWN



WASHBASIN
 height: 850 cm
 dimensions: 50x50 cm
 weight: 60 Kg
 internal basin's size:
 45x45x h.12 cm

FAO PACKING CASE
 height: 105 cm
 dimensions: 60x60 cm
 weight: 35 Kg

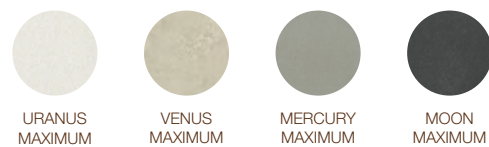
Notes

Each washbasin is made with a Wedi core coated with MAXIMUM 6 mm porcelain stoneware on all visible surfaces. Type of drain: Up&Down chrome. On the rear of each pedestal washbasin there is a readily serviceable magnetised compartment; by removing this, it is possible to connect a wall drain. Alternatively, a floor drain can be connected. Packaging in suitable FAO packing case included.

Marmi Maximum



Aster Maximum



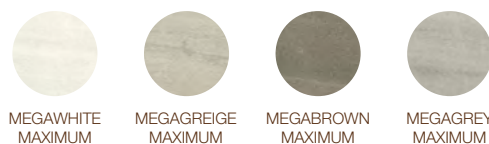
HQ.Resin Maximum



Data.Uni Maximum



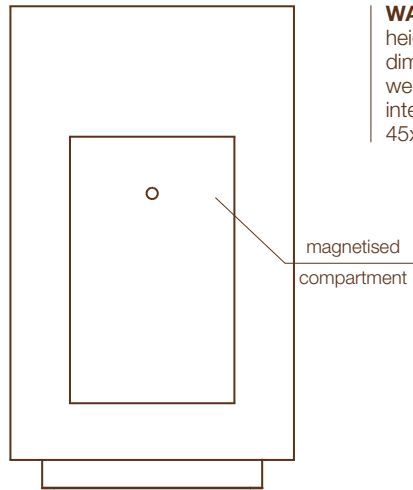
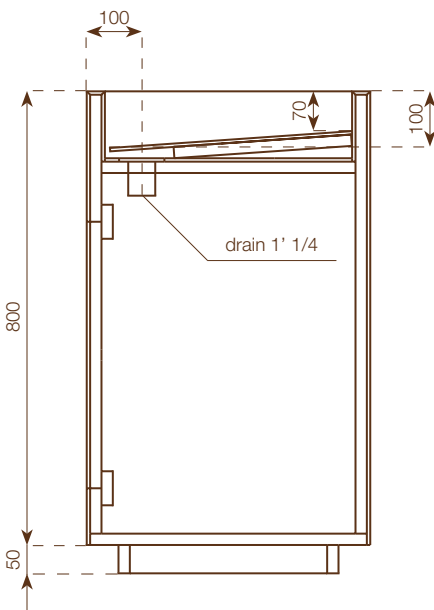
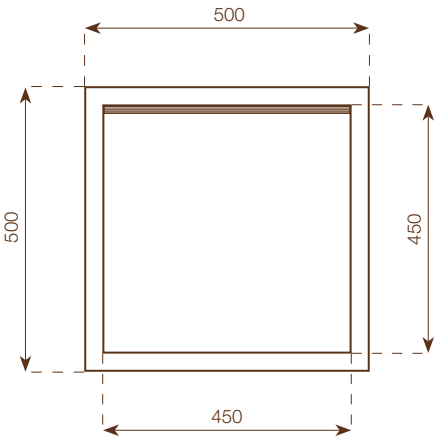
Megalith Maximum



Quietstones Maximum



GF 5050 WATERFALL



WASHBASIN
 height: 850 cm
 dimensions: 50x50 cm
 weight: 60 Kg
 internal basin's size:
 45x45x h.7/10 cm

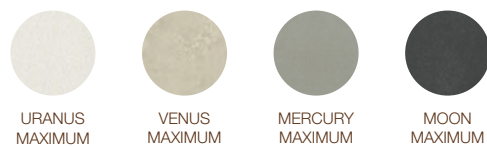
FAO PACKING CASE
 height: 105 cm
 dimensions: 60x60 cm
 weight: 35 Kg

Notes
 Each washbasin is made with a Wedi core coated with MAXIMUM 6 mm porcelain stoneware on all visible surfaces. Type of drain: always-open drain. On the rear of each pedestal washbasin there is a readily serviceable magnetised compartment; by removing this, it is possible to connect a wall drain. Alternatively, a floor drain can be connected. Packaging in suitable FAO packing case included.

Marmi Maximum



Aster Maximum



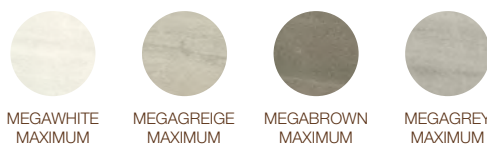
HQ.Resin Maximum



Data.Uni Maximum



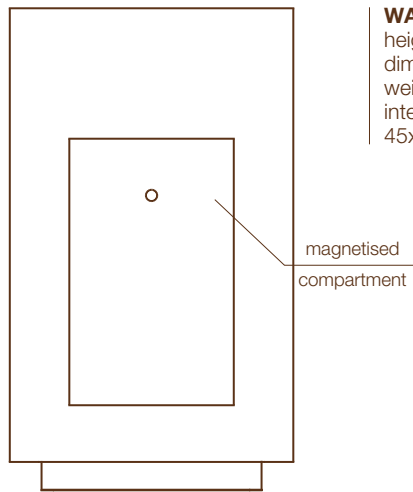
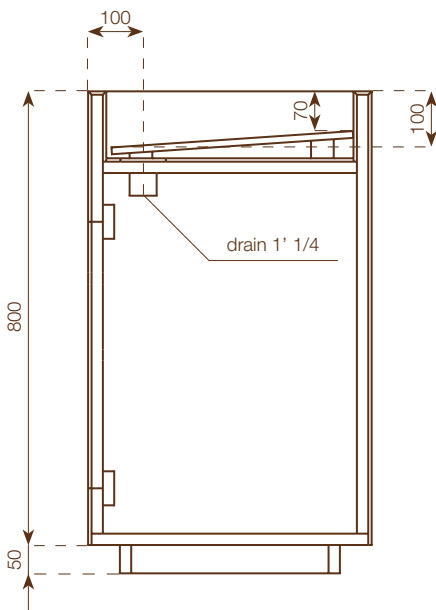
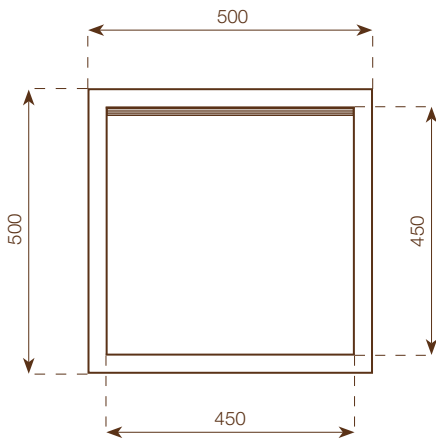
Megalith Maximum



Quietstones Maximum



GF 5050 WATERFALL READILY SERVICEABLE VERSION



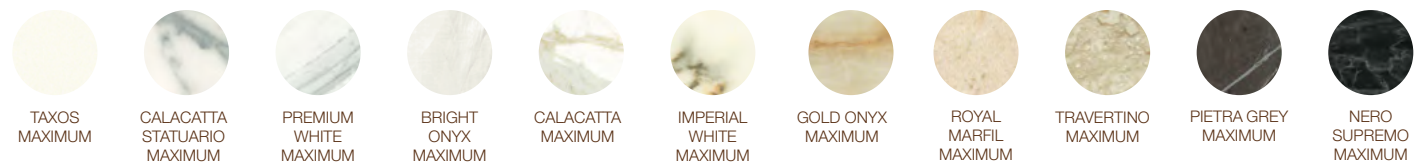
WASHBASIN
 height: 850 cm
 dimensions: 50x50 cm
 weight: 63 Kg
 internal basin's size:
 45x45x h.7/10 cm

FAO PACKING CASE
 height: 105 cm
 dimensions: 60x60 cm
 weight: 35 Kg

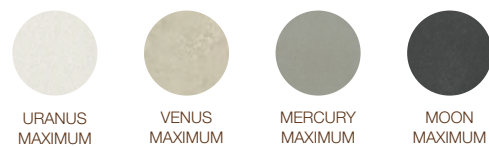
Notes

Each washbasin is made with a Wedi core coated with MAXIMUM 6 mm porcelain stoneware on all visible surfaces. Type of drain: always-open drain. On the rear of each pedestal washbasin there is a readily serviceable magnetised compartment; by removing this, it is possible to connect a wall drain. Alternatively, a floor drain can be connected. Packaging in suitable FAO packing case included.

Marmi Maximum



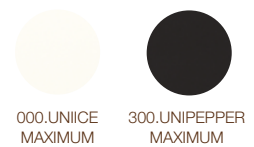
Aster Maximum



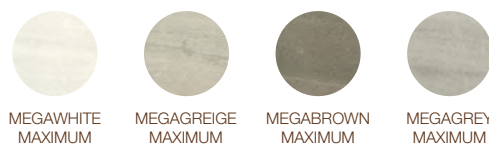
HQ.Resin Maximum



Data.Uni Maximum



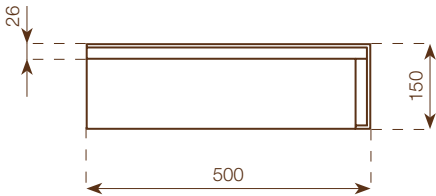
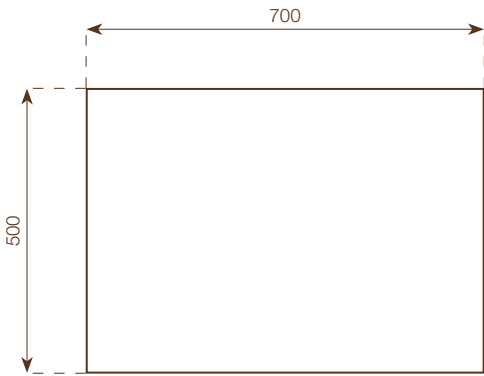
Megalith Maximum



Quietstones Maximum



GF 70 PIANO



COUNTER TOP

height: 15 cm
 dimensions: 70x50 cm
 weight: 25 Kg

FAO PACKING CASE

height: 40 cm
 dimensions: 80x60 cm
 weight: 30 Kg

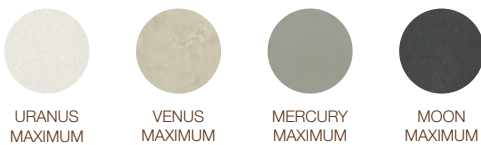
Notes

Each counter top is made with a Wedi core coated with MAXIMUM 6 mm porcelain stoneware on all visible surfaces. The counter top can be used as a base for a counter top washbasin or as a shelf to match the integrated washbasin. It is possible to make up to 2 holes. Included in the delivery of each counter top are: 2 support brackets, 12x60 plugs with hex head screw, packaging in suitable FAO packing case.

Marmi Maximum



Aster Maximum



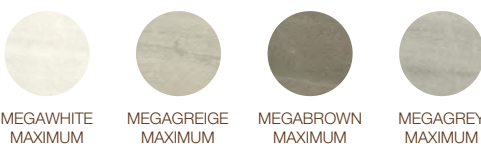
HQ.Resin Maximum



Data.Uni Maximum



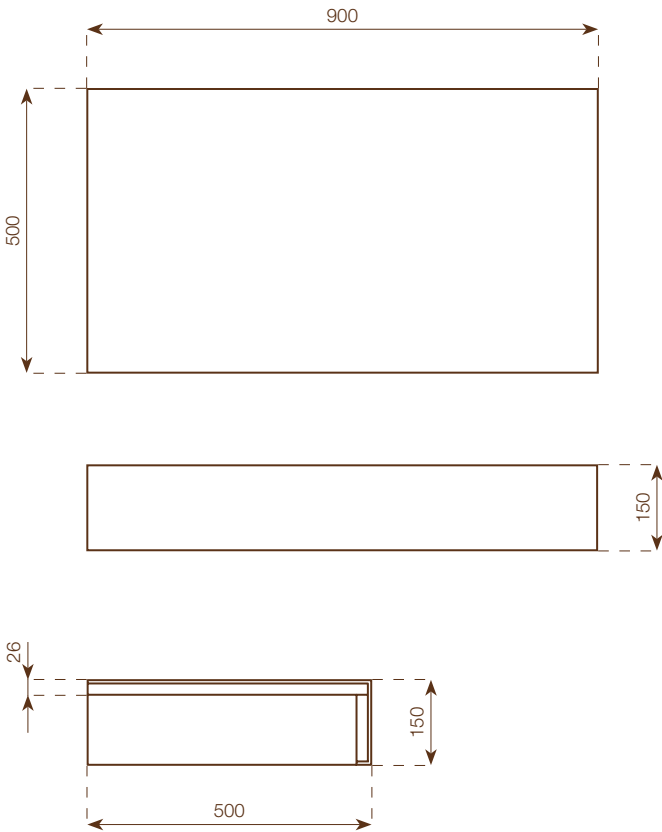
Megalith Maximum



Quietstones Maximum



GF 90 PIANO



COUNTER TOP

height: 15 cm
 dimensions: 90x50 cm
 weight: 30 Kg

FAO PACKING CASE

height: 40 cm
 dimensions: 100x60 cm
 weight: 32 Kg

Notes

Each counter top is made with a Wedi core coated with MAXIMUM 6 mm porcelain stoneware on all visible surfaces. The counter top can be used as a base for a counter top washbasin or as a shelf to match the integrated washbasin. It is possible to make up to 2 holes. Included in the delivery of each counter top are: 2 support brackets, 12x60 plugs with hex head screw, packaging in suitable FAO packing case.

Marmi Maximum



Aster Maximum



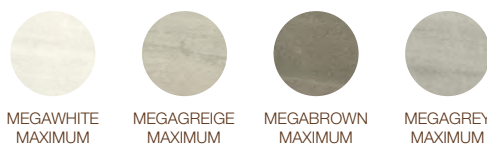
HQ.Resin Maximum



Data.Uni Maximum



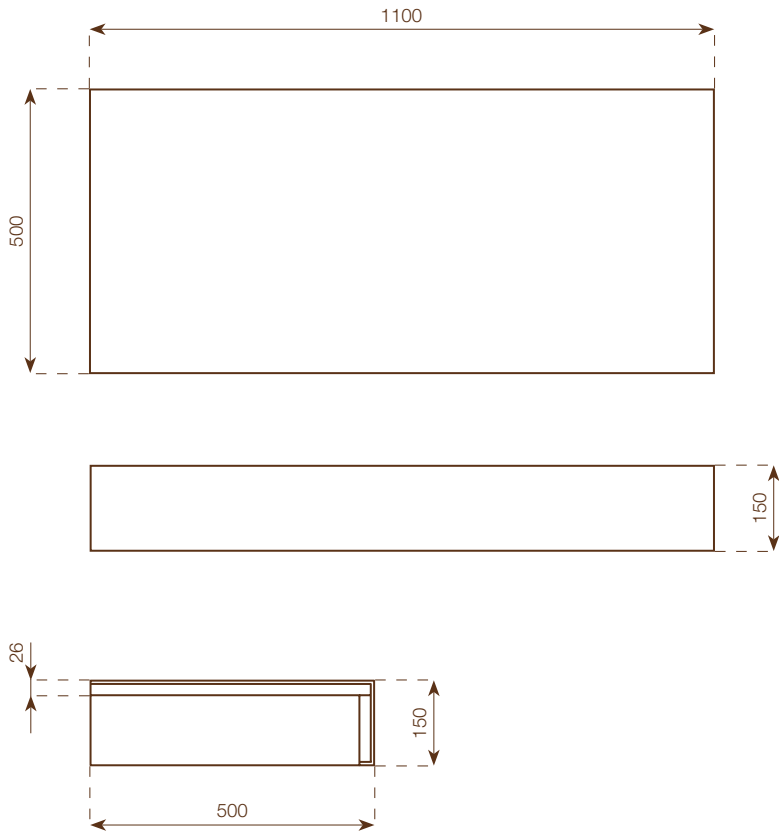
Megalith Maximum



Quietstones Maximum



GF110 PIANO



COUNTER TOP

height: 15 cm
 dimensions: 110x50 cm
 weight: 35 Kg

FAO PACKING CASE

height: 40 cm
 dimensions: 120x60 cm
 weight: 35 Kg

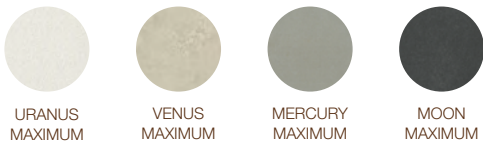
Notes

Each counter top is made with a Wedi core coated with MAXIMUM 6 mm porcelain stoneware on all visible surfaces. The counter top can be used as a base for a counter top washbasin or as a shelf to match the integrated washbasin. It is possible to make up to 2 holes. Included in the delivery of each counter top are: 2 support brackets, 12x60 plugs with hex head screw, packaging in suitable FAO packing case.

Marmi Maximum



Aster Maximum



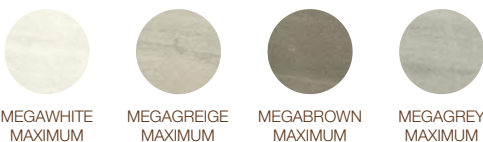
HQ.Resin Maximum



Data.Uni Maximum



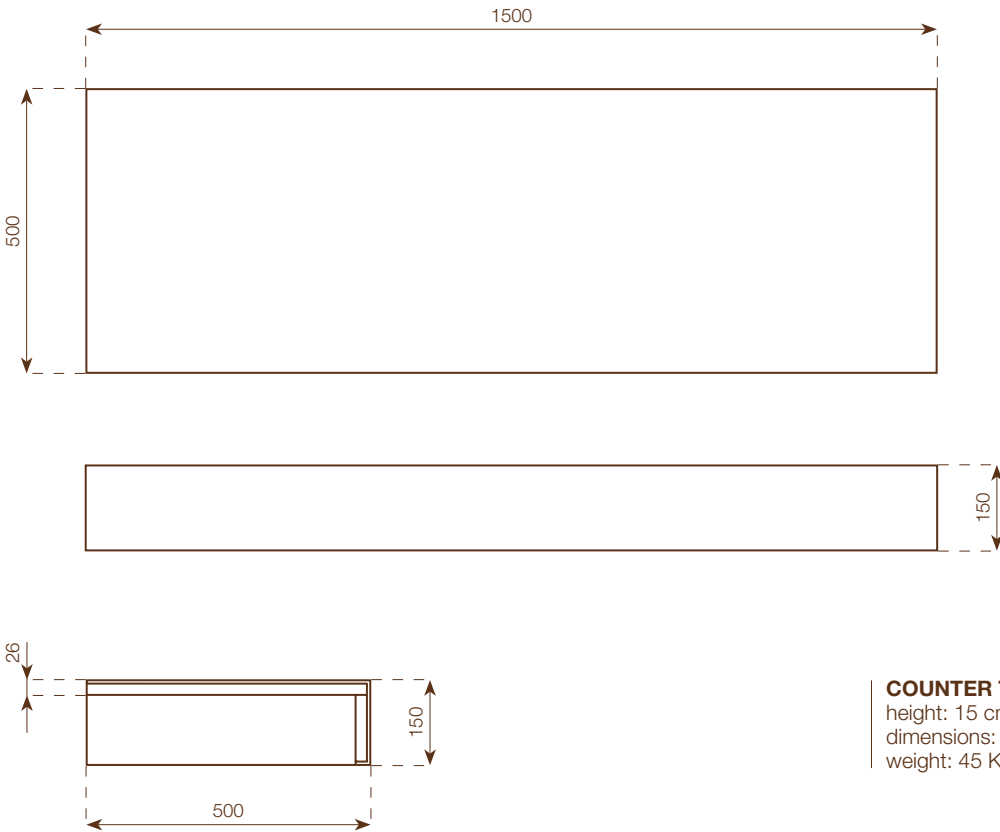
Megalith Maximum



Quietstones Maximum



GF150 PIANO



COUNTER TOP

height: 15 cm
 dimensions: 150x50 cm
 weight: 45 Kg

FAO PACKING CASE

height: 40 cm
 dimensions: 160x60 cm
 weight: 40 Kg

Notes

Each counter top is made with a Wedi core coated with MAXIMUM 6 mm porcelain stoneware on all visible surfaces. The counter top can be used as a base for a counter top washbasin or as a shelf to match the integrated washbasin. It is possible to make up to 2 holes. Included in the delivery of each counter top are: 2 support brackets, 12x60 plugs with hex head screw, packaging in suitable FAO packing case.

Marmi Maximum



Aster Maximum



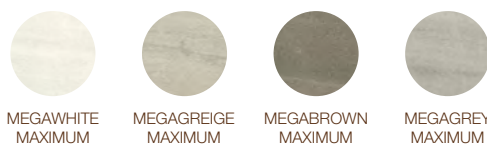
HQ.Resin Maximum



Data.Uni Maximum



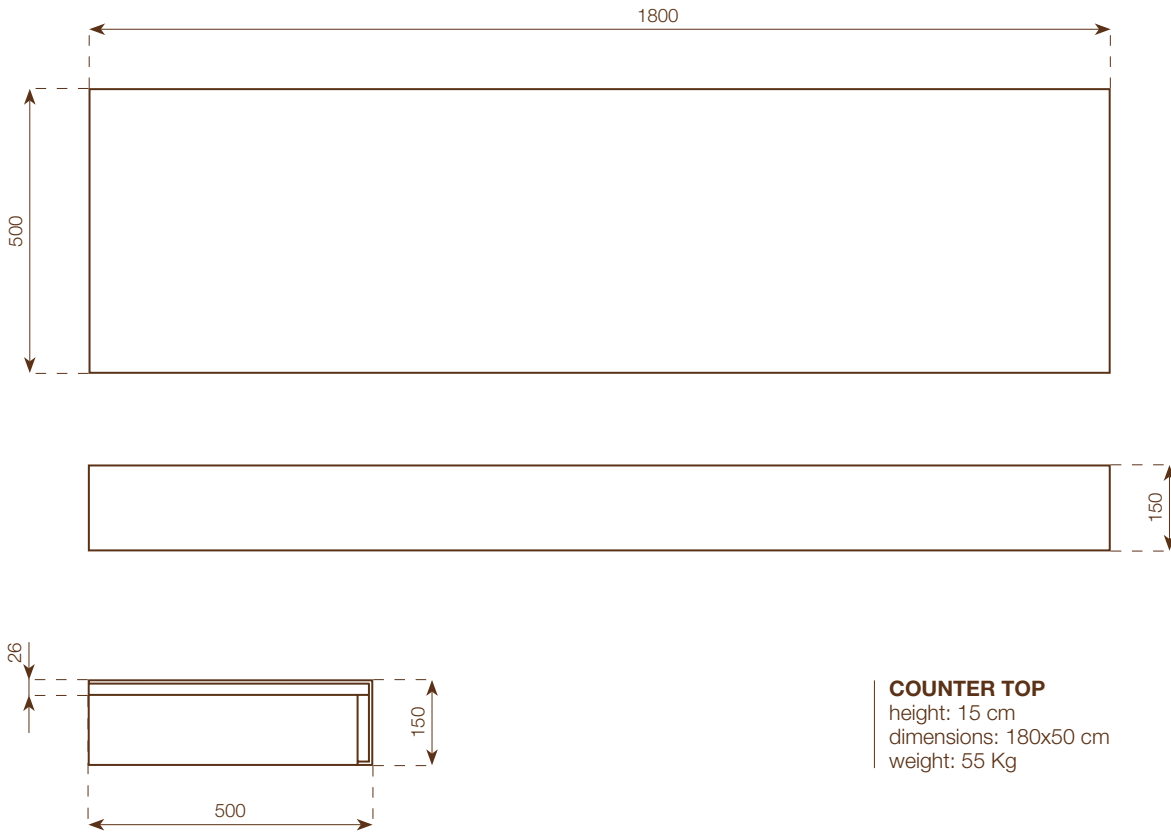
Megalith Maximum



Quietstones Maximum



GF180 PIANO



COUNTER TOP

height: 15 cm
 dimensions: 180x50 cm
 weight: 55 Kg

FAO PACKING CASE

height: 40 cm
 dimensions: 190x60 cm
 weight: 45 Kg

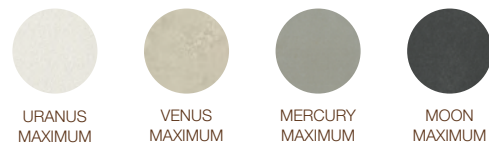
Notes

Each counter top is made with a Wedi core coated with MAXIMUM 6 mm porcelain stoneware on all visible surfaces. The counter top can be used as a base for a counter top washbasin or as a shelf to match the integrated washbasin. It is possible to make up to 2 holes. Included in the delivery of each counter top are: 3 support brackets, 12x60 plugs with hex head screw, packaging in suitable FAO packing case.

Marmi Maximum



Aster Maximum



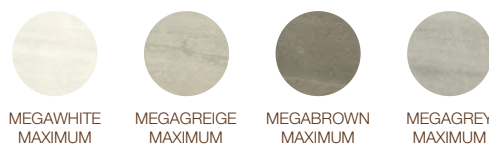
HQ.Resin Maximum



Data.Uni Maximum



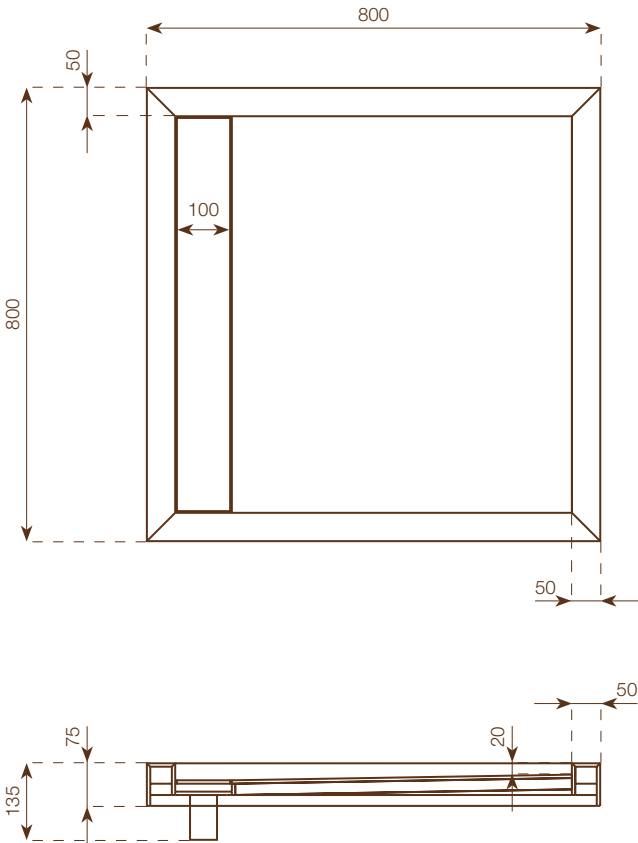
Megalith Maximum



Quietstones Maximum



GF 80x80



SHOWER TRAY

height: 7,5 cm
 dimensions: 80x80 cm
 weight: 30 Kg

FAO PACKING CASE

height: 30 cm
 dimensions: 90x90 cm
 weight: 35 Kg

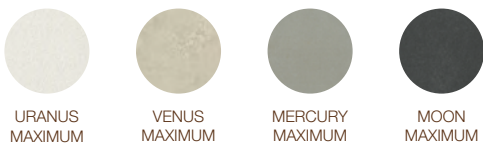
Notes

Each shower tray is made with a Wedi core coated with MAXIMUM 6 mm porcelain stoneware on all visible surfaces. The outer height of the shower tray is 7.5 cm. The size of the drain unit is 6 cm from the bottom of the shower tray. The minimum inner slope of the water drain is 1.5 cm towards the drain. Packaging in suitable FAO packing case included.

Marmi Maximum



Aster Maximum



HQ.Resin Maximum



Data.Uni Maximum



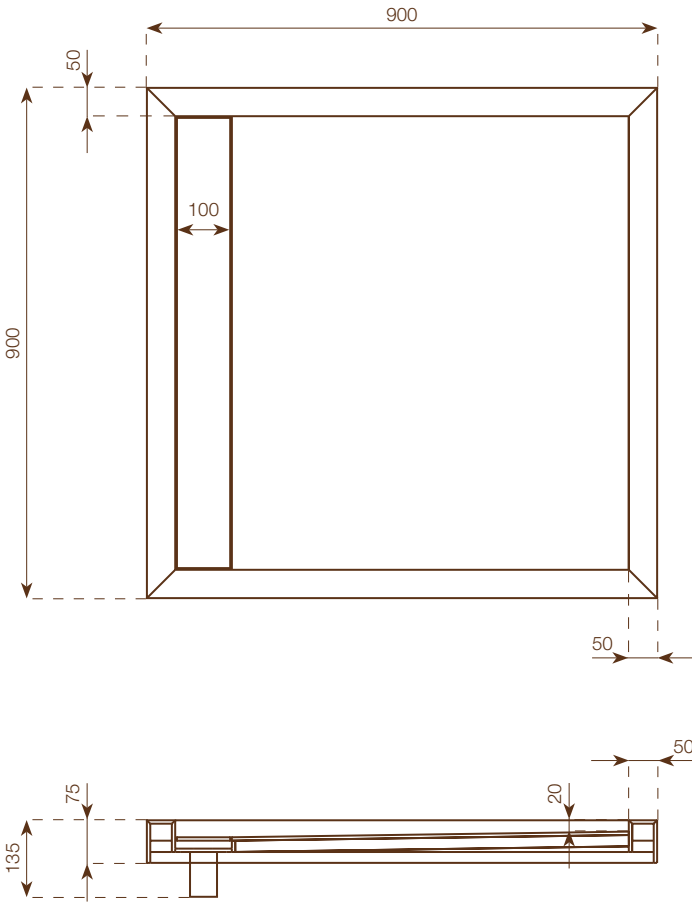
Megalith Maximum



Quietstones Maximum



GF 90x90



SHOWER TRAY

height: 7,5 cm
 dimensions: 90x90 cm
 weight: 40 Kg

FAO PACKING CASE

height: 30 cm
 dimensions: 100x100 cm
 weight: 40 Kg

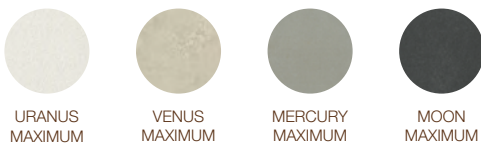
Notes

Each shower tray is made with a Wedi core coated with MAXIMUM 6 mm porcelain stoneware on all visible surfaces. The outer height of the shower tray is 7.5 cm. The size of the drain unit is 6 cm from the bottom of the shower tray. The minimum inner slope of the water drain is 1.5 cm towards the drain. Packaging in suitable FAO packing case included.

Marmi Maximum



Aster Maximum



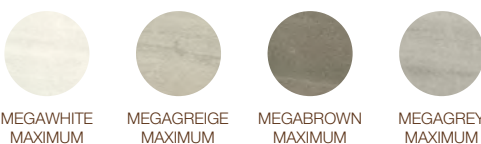
HQ.Resin Maximum



Data.Uni Maximum



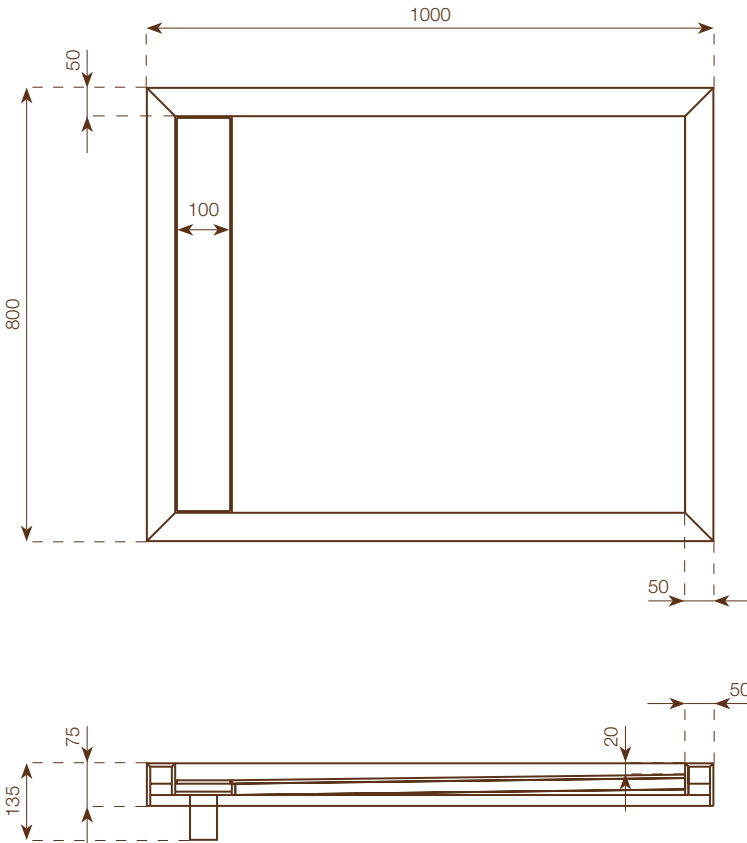
Megalith Maximum



Quietstones Maximum



GF 100x80



SHOWER TRAY

height: 7,5 cm
 dimensions: 100x80 cm
 weight: 45 Kg

FAO PACKING CASE

height: 30 cm
 dimensions: 110x90 cm
 weight: 40 Kg

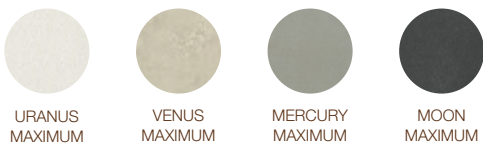
Notes

Each shower tray is made with a Wedi core coated with MAXIMUM 6 mm porcelain stoneware on all visible surfaces. The outer height of the shower tray is 7.5 cm. The size of the drain unit is 6 cm from the bottom of the shower tray. The minimum inner slope of the water drain is 1.5 cm towards the drain. Packaging in suitable FAO packing case included.

Marmi Maximum



Aster Maximum



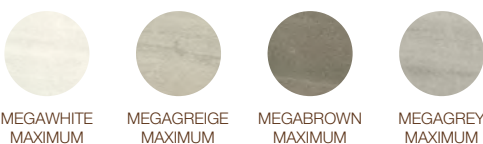
HQ.Resin Maximum



Data.Uni Maximum



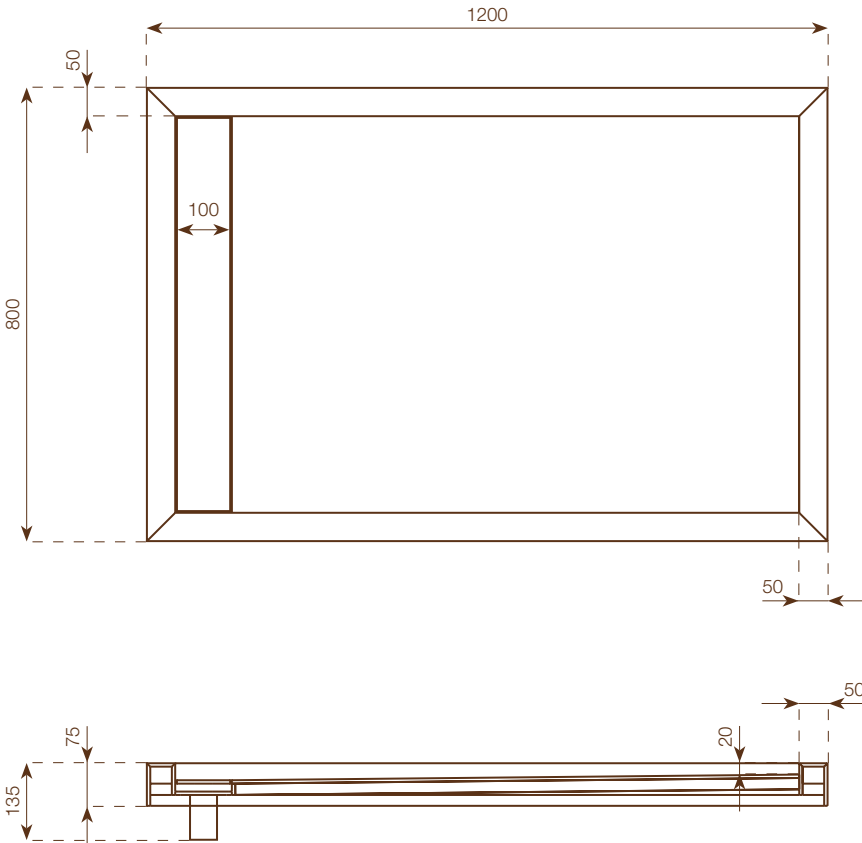
Megalith Maximum



Quietstones Maximum



GF 120x80



SHOWER TRAY

height: 7,5 cm
 dimensions: 120x80 cm
 weight: 50 Kg

FAO PACKING CASE

height: 30 cm
 dimensions: 130x90 cm
 weight: 45 Kg

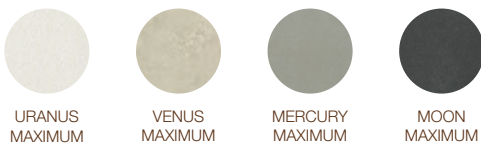
Notes

Each shower tray is made with a Wedi core coated with MAXIMUM 6 mm porcelain stoneware on all visible surfaces. The outer height of the shower tray is 7.5 cm. The size of the drain unit is 6 cm from the bottom of the shower tray. The minimum inner slope of the water drain is 1.5 cm towards the drain. Packaging in suitable FAO packing case included.

Marmi Maximum



Aster Maximum



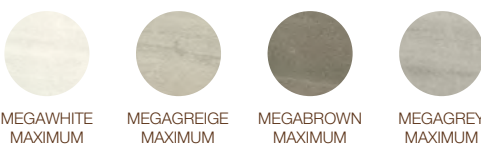
HQ.Resin Maximum



Data.Uni Maximum



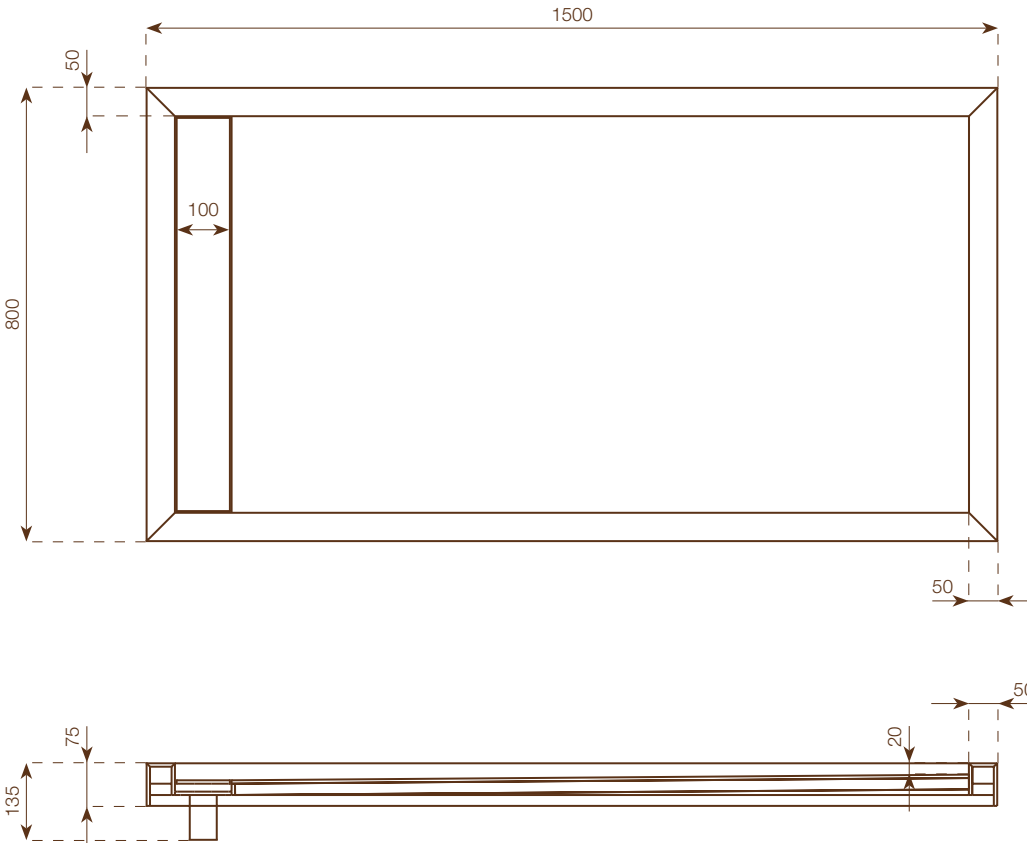
Megalith Maximum



Quietstones Maximum



GF 150x80



SHOWER TRAY

height: 7,5 cm
 dimensions: 150x80 cm
 weight: 65 Kg

FAO PACKING CASE

height: 30 cm
 dimensions: 160x90 cm
 weight: 50 Kg

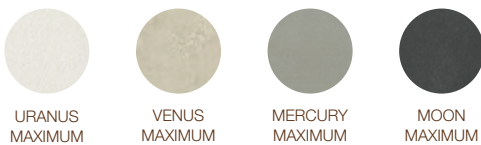
Notes

Each shower tray is made with a Wedi core coated with MAXIMUM 6 mm porcelain stoneware on all visible surfaces. The outer height of the shower tray is 7.5 cm. The size of the drain unit is 6 cm from the bottom of the shower tray. The minimum inner slope of the water drain is 1.5 cm towards the drain. Packaging in suitable FAO packing case included.

Marmi Maximum



Aster Maximum



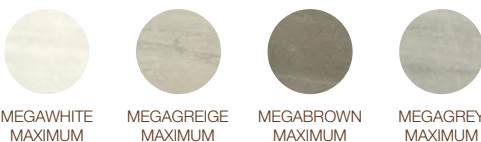
HQ.Resin Maximum



Data.Uni Maximum



Megalith Maximum



Quietstones Maximum

